

PREFACE

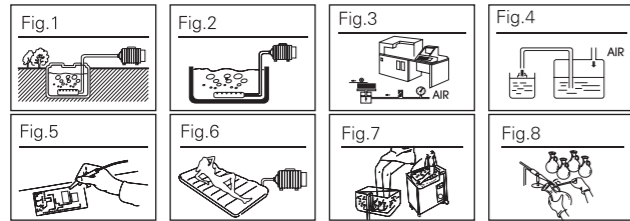
Thank you for purchasing the ActiveAir brand electrical magnetic air compressor. For optimum performance and safety, please read this manual carefully and keep it handy for future reference.

USES

ActiveAqua Air Compressors are perfect for running several reservoirs or multiple air stones at once. Additionally, it can be used for inflating air beds, cleaning, or any other task that needs the availability of compressed air.

APPLICATION

Fig1. Water treatment Fig2. Air supply for aquarium Fig3. Printer
 Fig4. Liquid transmission Fig5. Spare parts cleaning Fig6. Air bed
 Fig7. Medical equipment Fig8. Manufacture

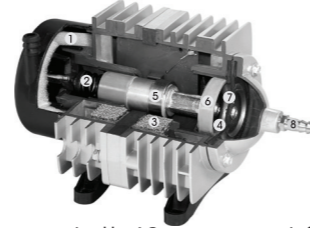


FEATURES

1. The case is made of high-quality ZL 102 aluminum alloy with radiator, heat-dissipation is more effective.
2. Reciprocating, linear electromagnetic motor and piston assembly allows for smaller packaging and more efficient compression and discharge.
3. Cylinder and piston constructed from new lower friction, high wear resistant SF material, which reduces power consumption and extends life.
4. Self-lubricating design ensures compressed air is not contaminated by oil.
5. Constant temperature and pressure operation to ensure reliable performance.

PARTS LIST

- 1 Air Inlet Filter 2 Spring
- 3 Motor Coils 4 Cylinder
- 5 Rotor 6 Piston
- 7 Inlet & Outlet Valves
- 8 Air Outlet Adaptor

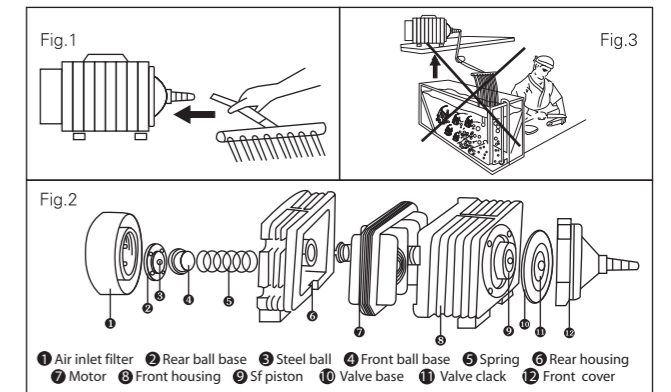


HOW IT WORKS

When the electromagnetic coils are energized by AC power, a magnetic force is generated. Under the action of this magnetic force and the pressure spring, the piston moves reciprocally so that the volume of cylinder changes. This leads to the automatic opening and shutting of the inlet and outlet valves and thus achieves the work cycle of taking in, compressing and discharging.

OPERATION

1. Connect the outlet hose to the distributor and start the unit. For using in reservoirs, the outlet hose may be connected to tubing manifold for air stones or air curtain. Each unit can supply air to 6-12 tubes. (Fig.1)
2. In the event that the outlet air is obstructed or blocked, check the connecting parts for leakage. If none is found, disconnect the plug, remove the front cover, the valve and the valve base and wash away the dust with water. When done, carefully dry and remount. (Refer to the diagram).
3. If the unit does not work after connecting to the power source, in most cases the connecting point of the diode is broken or an obvious shift has occurred between the gap of the motor's piston and housing due to the rough transportation. Re-assembly of all parts is needed for resuming normal operation. (Fig.2)
4. When connecting air hoses, adjust the length of the air outlet on the compressor and the air intake to ensure the hose is not kinked or blocked. (Fig.3)
5. When the work area is separated from the power source, use an extension cord of sufficient thickness and capacity. Use the shortest possible extension cord to meet your needs.
6. Regularly inspect all mounting screws to ensure that they are properly tightened. Should any of the screws be loose, retighten them immediately.

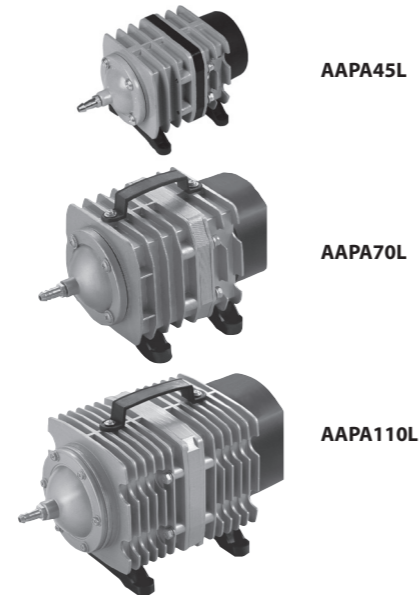


SAFETY TIPS

1. Make sure that the power source conforms to the power requirements specified on the product nameplate. Use a standard AC outlet.
2. This appliance should be grounded while in use to protect the operator from electric shock.
3. Do not carry the machine by the power supply cord or place heavy items on top of it. Do not use if the cable or plug is damaged.

4. In order to avoid the water flowing back, the machine must be put above the water level or install a check valve on the outlet pipe.
5. Clean the filter sponge within two months in order to guarantee the air purty.
6. During operation, if the engine sound is interrupted, indicators no longer illuminate, or anything abnormal occurs, immediately unplug the power cord from the outlet and contact your retailer.
7. The unit is non-oil lubricating design, please don't add any oil lubrication.
8. To clean, unplug the appliance, wipe the it with a soft cloth lightly dampened with soapy water. Do not wipe the plastic parts with solvent.
9. Place the unit horizontally on its base and avoid bumping it into things.
10. Please keep the machine away from high temperature, sunshine, damp or dust.
11. Disconnect the power supply plug if the appliance will not be used for a long time.
12. Never attempt to repair or reconstruct this unit. Let qualified technicians check and repair your unit.

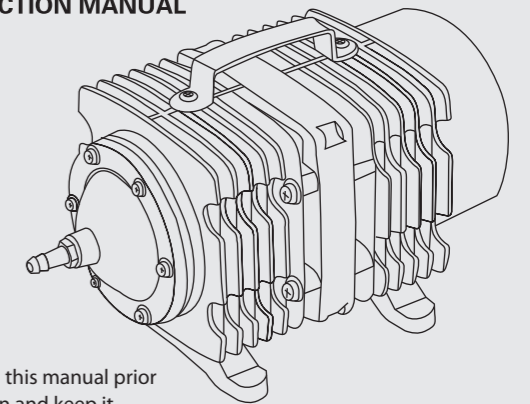
SERIES PRODUCTS



Distributed by Hydrofarm, Inc. | Petaluma, CA USA | Made in PRC
www.Hydrofarm.com



ELECTRICAL MAGNETIC AIR COMPRESSOR SERIES INSTRUCTION MANUAL



Please read this manual prior to operation and keep it handy for future reference.