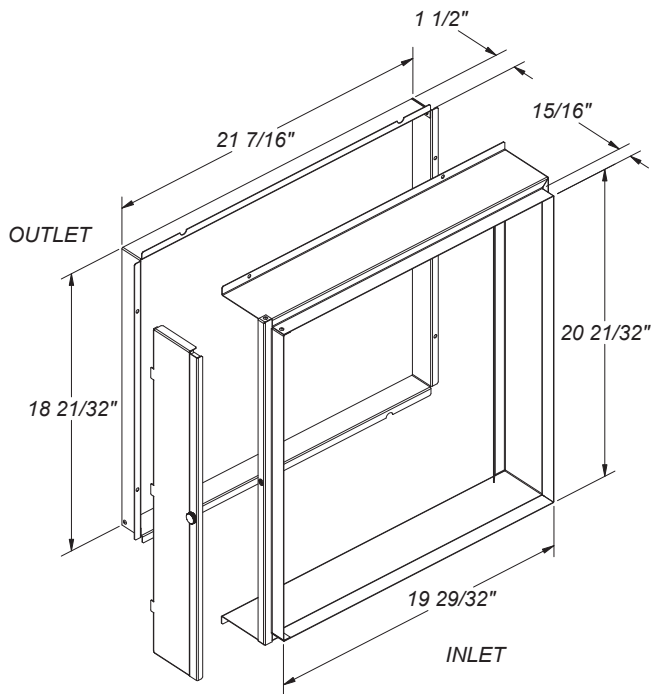


MODEL 5790			
Compatible with Dehumidifier Model A210V1			
Dimensions			
Outlet		Inlet	
Width	$14 \frac{9}{16}$ "	Width	$17 \frac{9}{32}$ "
Height	$16 \frac{13}{16}$ "	Height	$13 \frac{1}{16}$ "
Flange width	$1 \frac{1}{2}$ "	Flange width	$1 \frac{5}{16}$ "



MODEL 5807			
Compatible with Dehumidifier Models A320V1 & A320V3			
Dimensions			
Outlet		Inlet	
Width	$18 \frac{21}{32}$ "	Width	$19 \frac{29}{32}$ "
Height	$21 \frac{7}{16}$ "	Height	$20 \frac{21}{32}$ "
Flange width	$1 \frac{1}{2}$ "	Flange width	$1 \frac{5}{16}$ "