

The Model 8024 relay card is a general purpose, 24-volt, three relay, dry contact switching device. All three SPDT relays can be switched independently with the coils sharing a common leg.

PACKAGE CONTENTS

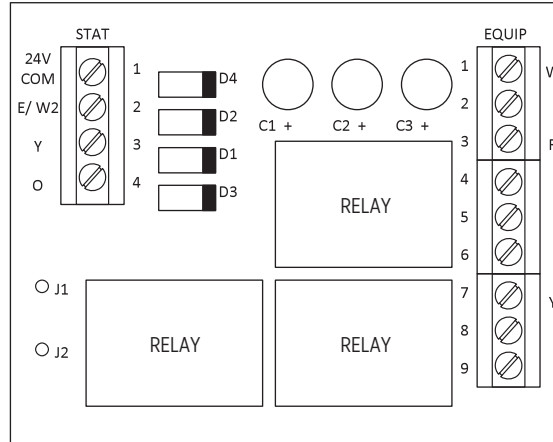
- Relay card with snap track
- Application literature

NOMINAL PRODUCT SPECIFICATIONS

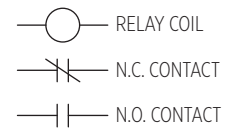
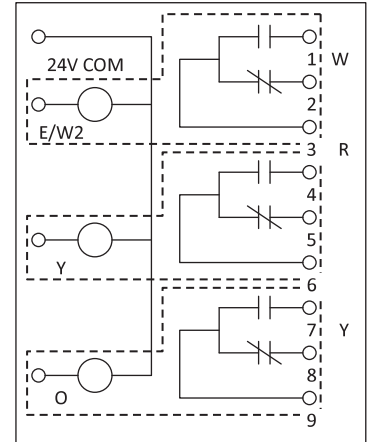
Inputs: 24VAC ± 10%, 0.25 Amps

Outputs: 24VAC ±10%, 2 Amps max.

MODEL 8024 LAYOUT



MODEL 8024 SCHEMATIC



RADIANT FLOOR HEAT WITH FORCED AIR COOLING AND SECOND STAGE

