

# Aprilaire®

## MODEL 8024 24-VOLT RELAY CARD

### PRODUCT DESCRIPTION

THE MODEL 8024 RELAY CARD IS A GENERAL PURPOSE, 24-VOLT, THREE RELAY, DRY CONTACT SWITCHING DEVICE. ALL THREE SPDT RELAYS CAN BE SWITCHED INDEPENDENTLY WITH THE COILS SHARING A COMMON LEG.

### PACKAGE INCLUDES

- RELAY CARD W/SNAP TRACK
- APPLICATION LITERATURE

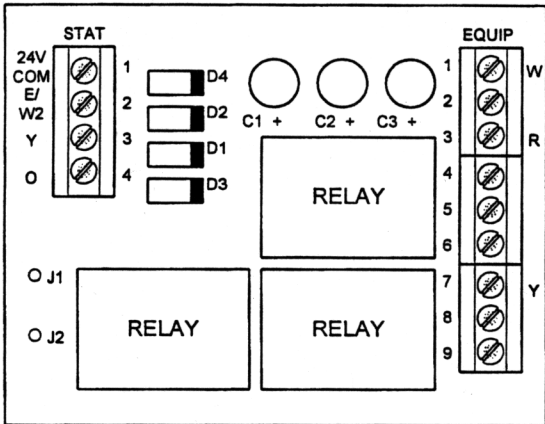
### NOMINAL PRODUCT SPECIFICATIONS

#### INPUTS:

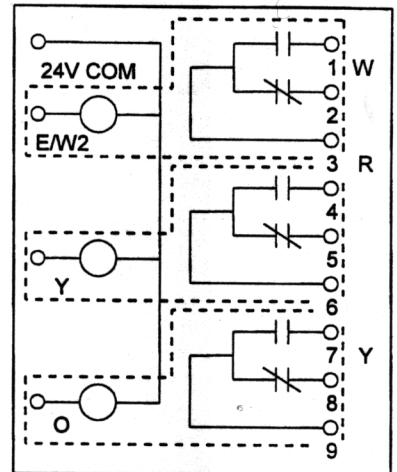
24VAC ± 10%, 0.25 AMPS

#### OUTPUTS:

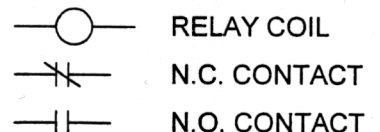
24VAC ± 10%, 2 AMPS MAX.



MODEL 8024 LAYOUT

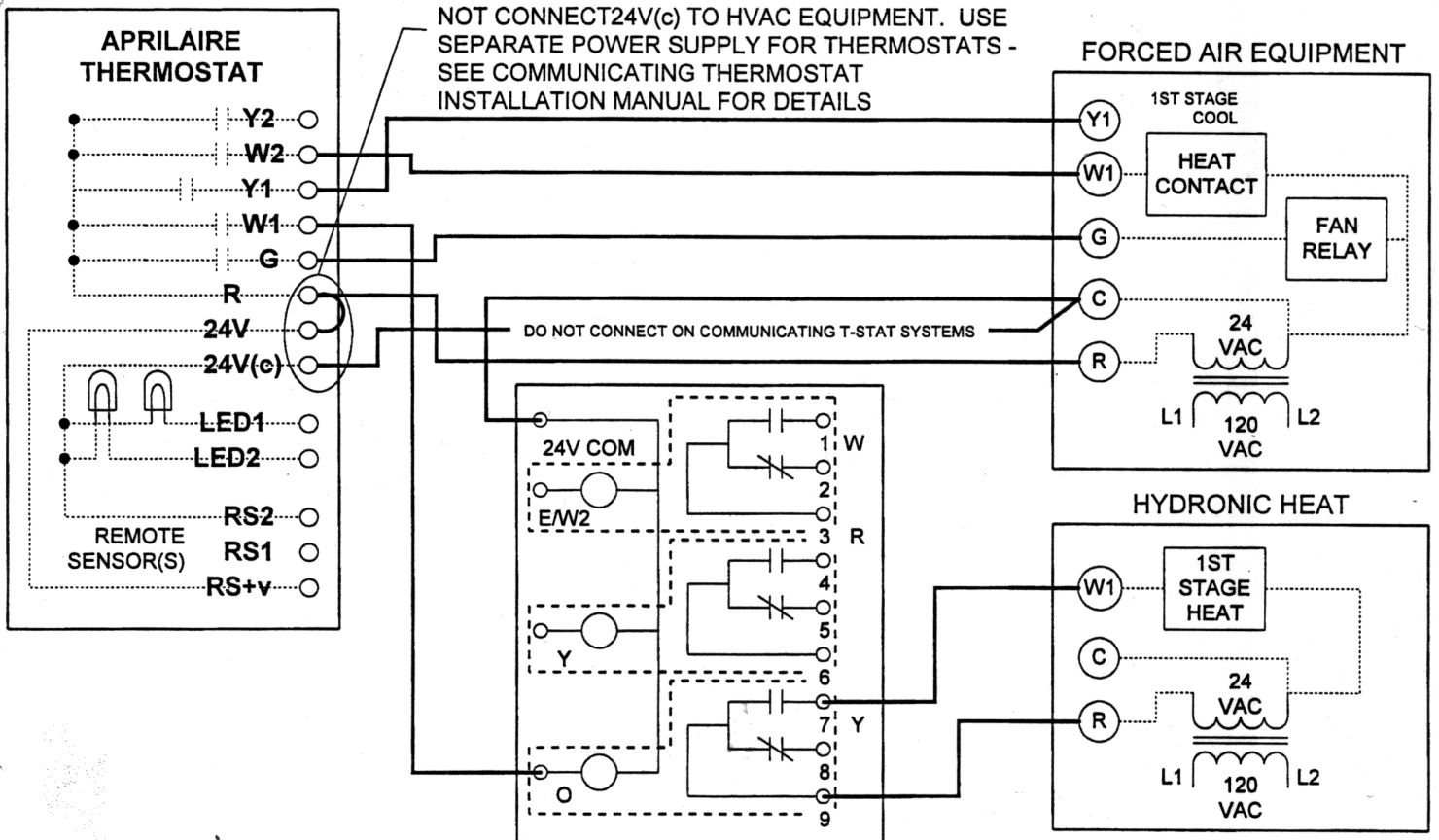


MODEL 8024 SCHEMATIC



### APPLICATION 1: HYDRONIC FIRST STAGE HEAT WITH FORCED AIR COOLING AND SECOND STAGE.

**ON COMMUNICATING THERMOSTAT SYSTEMS:**  
DISCONNECT JUMPER BETWEEN R&24V AND DO NOT CONNECT 24V(c) TO HVAC EQUIPMENT. USE SEPARATE POWER SUPPLY FOR THERMOSTATS - SEE COMMUNICATING THERMOSTAT INSTALLATION MANUAL FOR DETAILS



MODEL 8024