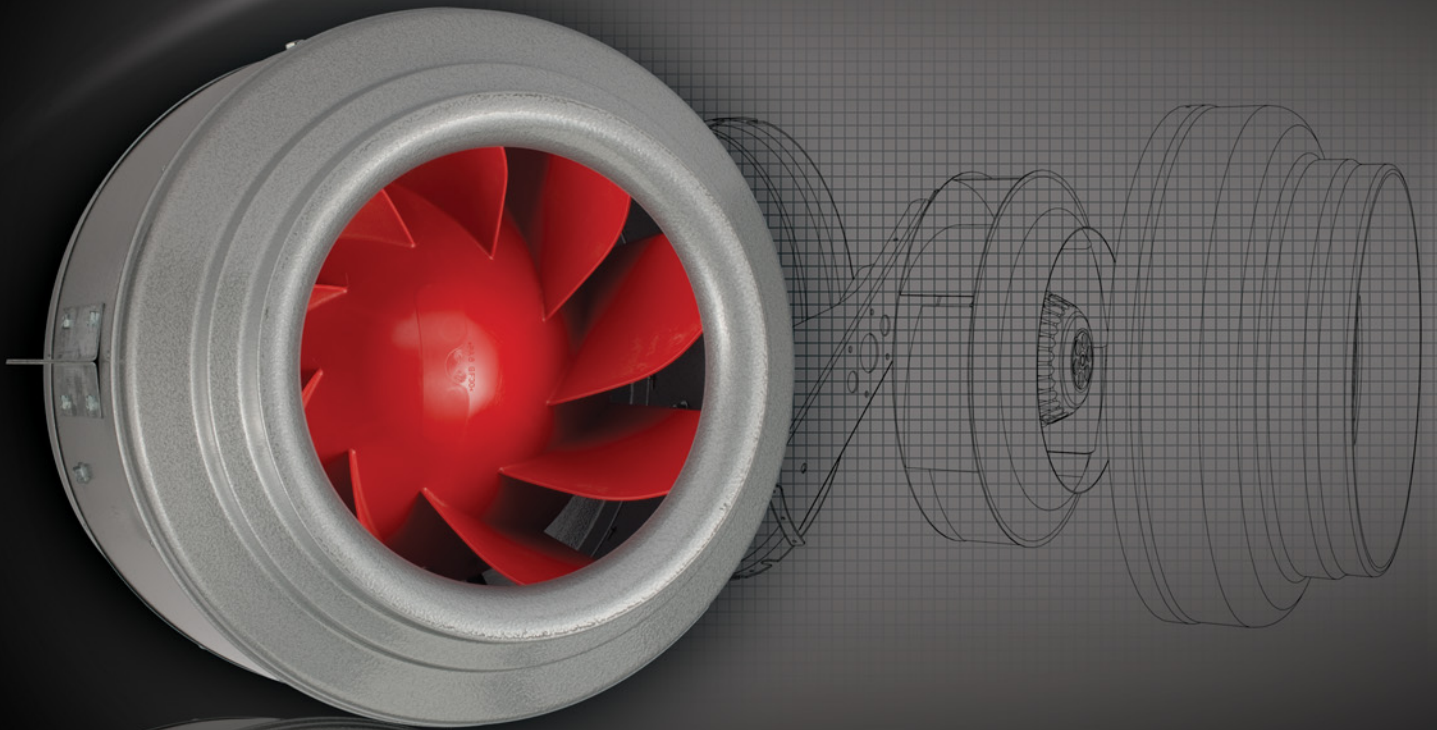


 **VORTEX[®]**
POWERFANS
High Performance Inline Duct Blowers


SERIES



||| DESIGNED FOR SILENCE, BUILT FOR POWER |||



DESIGNED FOR SILENCE, BUILT FOR POWER

Atmosphere's Vortex Powerfans V-Series combine high performance and quiet operation. These fans are equipped with a mixed-flow impeller allowing more air volume than any other comparable impeller design. Furthermore, the V-Series fans operate at lower RPM (1500 to 1700) making them even quieter. These fans are available in configurations from 12" to 16" ranging from 2050 to 4515 CFMs.



12" v-12XL
2050 CFM

14" v-14XL
2905 CFM

16" v-16XL
4515 CFM



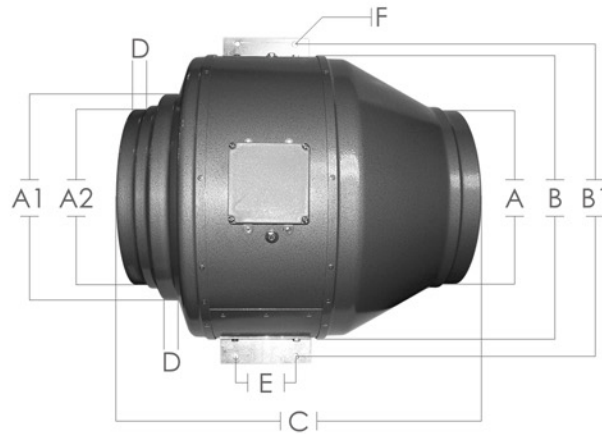
Features and Benefits

- Aerodynamic design allowing more air flow.
- Heavy gage steel casing with a Hammertone powder coat finish, making it more sound absorbing and rustproof.
- High quality maintenance-free balanced motor, equipped with a mixed flow impeller, allowing an extremely quiet operation.
- 100% speed controllable, easing air flow adjustment, for better balancing of the ventilation system. (optional speed control)
- Extended collar and lip, allowing easy duct hook-up.
- Permanently lubricated maintenance-free ball bearing motor.
- Galvanized mounting brackets for horizontal or vertical installation. (sold separately)
- 3 year manufacturers warranty.
- Power cord included.

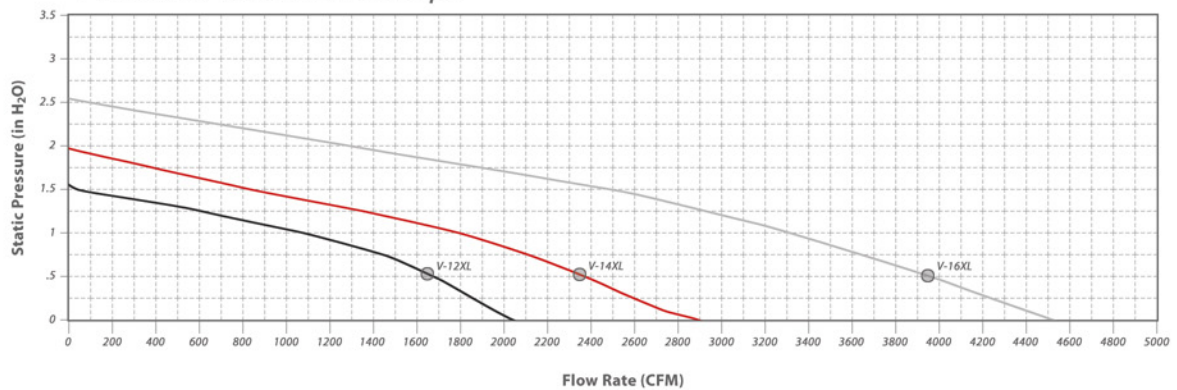
V-Series View & Sizes

All dimensions in inches

FAN MODEL	Weight (lbs)	A	A1	A2	B	B1	C	D	E	F
V-12XL	38.2	11 7/8	13 7/8	11 7/8	18 7/8	21 1/4	21 3/4	1.0	4.0	1/2
V-14XL	43.6	13 7/8	15 7/8	13 7/8	21.0	23 3/8	22 1/2	1.0	4.0	1/2
V-16XL	65.6	15 7/8	17 7/8	15 7/8	22.0	24 3/8	24 1/2	1.0	4.0	1/2



V-Series Air Performance Graph



V-Series Performance Data

FAN MODEL	Duct Dia.	*RPM	Volts	Rated Watts	Max Amps	Static Pressure in Inches W.G.									Max Ps	Sones
						0"	.125"	.25"	.375"	.5"	.75"	1.0"	1.25"	1.5"		
V-12XL	12"	1700	120	540	4.8	2050	1951	1862	1774	1675	1445	1083	615	43	1.54	19.1
V-14XL	14"	1500	120	860	7.5	2905	2728	2607	2492	2381	2117	1799	1362	837	1.97	20.4
V-16XL	16"	1600	230	1550	6.6	4515	4374	4238	4097	3952	3645	3312	2950	2512	2.55	23.2

*Speed (RPM) shown is nominal

Performance ratings are based on installation type D - Ducted inlet, Ducted outlet
Performance ratings do not include the effects of appurturenances (Accessories)



WHERE INNOVATION IS A STANDARD

WWW.ATMOSPHERE.COM



CONFORMS TO
UL 507 and
CSA C22.2
no.113



*Customer support : info@atmosphere.com
Sales inquiries : sales@atmosphere.com*



*2480 Boul. des Entreprises Terrebonne, Quebec J6X 4J8 CANADA
T: 450.477.1100 F: 514.313.5700 TF: 1.800.489.1301
WWW.ATMOSPHERE.COM*