

USER MANUAL

ACTIVE AIR®

PEDESTAL FAN (18 Inch)



ACFP2018


HYDR OFARM

Hydrofarm.com

TABLE OF CONTENTS

OVERVIEW	2
PARTS LIST (WHAT'S IN THE BOX)	3
IMPORTANT SAFEGUARDS	4
ASSEMBLY INSTRUCTIONS	5
ASSEMBLY	5
ELECTRIC SCHEMATIC DIAGRAM	5
OPERATING INSTRUCTIONS	6
CARE AND CLEANING	6
CLEANING	6
STORAGE	6
PROBLEM SOLVING	6
WARRANTY	8



Hydrofarm.com

OVERVIEW

Thank you for purchasing our **18" Pedestal Fan - ACFP2018**. Each unit has been manufactured to ensure safety, reliability, and ease of use. Active Air Heavy Duty Pedestal Fans provide superior air circulation with excellent durability. Available in both 16" and 18" sizes. Their motors are redesigned for stronger performance and are built for years of continuous use. They come equipped with industrial strength aluminum fan blades and operate at three speeds with a smooth side-to-side oscillation. The heavy duty pedestal fans are adjustable in height and utilize a strong heavy base for stability. They are tough and will easily handle even the harshest grow room environments. Before use, please read these instructions carefully and save them for future reference. For information on additional Active Air products please visit Hydrofarm.com.

SPECIFICATIONS

Voltage	AC 120V/60Hz
----------------	--------------

Wattage	70W
----------------	-----

INDOOR USE ONLY

TOOLS NEEDED (FOR OPTIONAL MOUNTING)

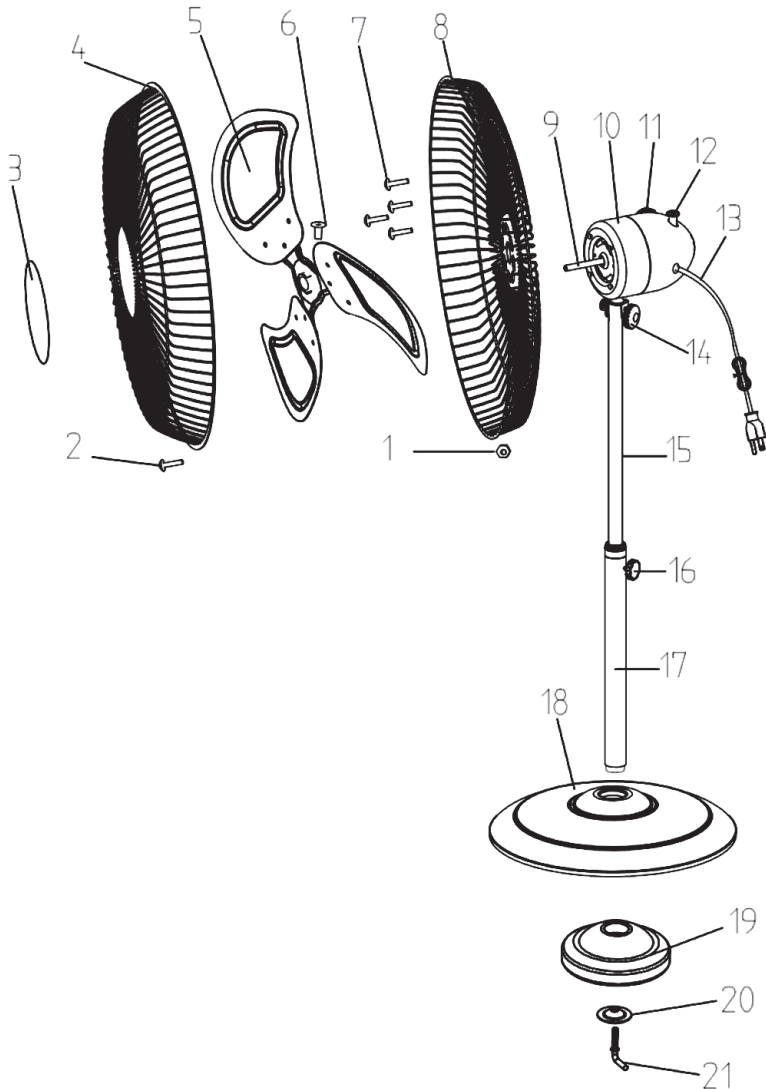


Phillips
Screwdriver

PARTS LIST (WHAT'S IN THE BOX)

PARTS LIST

- | | | |
|-----------------------------|-------------------------|-----------------------------|
| 1. Securing nut | 8. Back guard | 15. Inner pipe |
| 2. Securing bolt | 9. Motor shaft | 16. Height-adjustment screw |
| 3. Decorative cover | 10. Motor | 17. Outer pipe |
| 4. Front guard | 11. Speed control | 18. Base |
| 5. Fan blade | 12. Oscillation knob | 19. Weight |
| 6. Blade locking screw | 13. Power cord and plug | 20. Washer |
| 7. Back guard locking screw | 14. Hand nut | 21. Locking lever |



IMPORTANT SAFEGUARDS

When using your pedestal fan, basic precautions should always be followed, including the following:

- This appliance is not intended for use by persons (including children) with reduced physical, sensory or mental capabilities, or lack of experience and knowledge, unless they have been given supervision or instruction concerning use of the appliance by a person responsible for their safety.
- Children should be supervised to ensure that they do not play with the pedestal fan.
- Do not allow the cord to touch hot surfaces and do not place on or near a hot gas or electric burner or in a heated oven.
- Never use this pedestal fan near bathtubs, showers, basins or other vessels containing water.
- Never immerse the pedestal fan, plug or cord in water, or allow any liquid to come in to contact with any part of the pedestal fan.
- Ensure that the voltage used corresponds to the voltage indicated on the rating label.
- Never touch the blades with your hand or any other object!
- Do not pull the cord too hard. If it becomes damaged after prolonged use, get it repaired by a technician.
- Never insert your fingers, pencils, or other objects through the pedestal fan guard during operation.
- The pedestal fan should be used on a stable and level surface.
- Do not operate without the guard being properly in place.
- Do not expose the pedestal fan to excessive heat or humidity. This could cause damage to the electrical components.
- Check the power cord and plug regularly for any damage. If the cord or the plug is damaged, it must be replaced by manufacturer or a qualified person in order to avoid an electrical hazard.
- We do not recommend the use of an extension cord. It could overheat and cause a fire hazard.
- This pedestal fan is intended for household use only. Industrial or commercial use will void the warranty, and the supplier can not be held responsible for injury or damage caused when using the appliance for any other purpose than that intended.
- To reduce the risk of fire or electric shock, do not use this fan with any solid-state speed control device.
- To disconnect, grip plug and pull from wall outlet. Never pull on the cord to unplug.
- The use of accessory attachments that are not recommended or supplied by the manufacturer may result in injuries, fire or electric shock.

ASSEMBLY INSTRUCTIONS

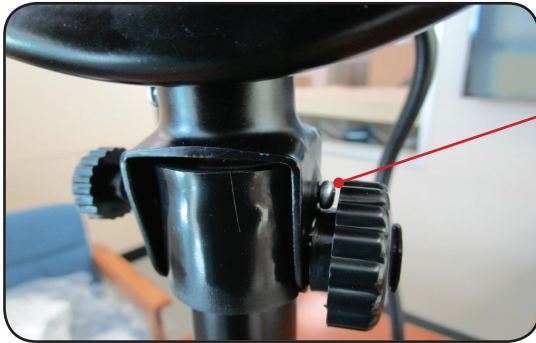
Before first use, please follow these instructions:

- Remove all packing and any labels.
- Make sure that your pedestal fan is in good condition. It must have no cracks on the unit and no damage to the cord/plug.

ASSEMBLY

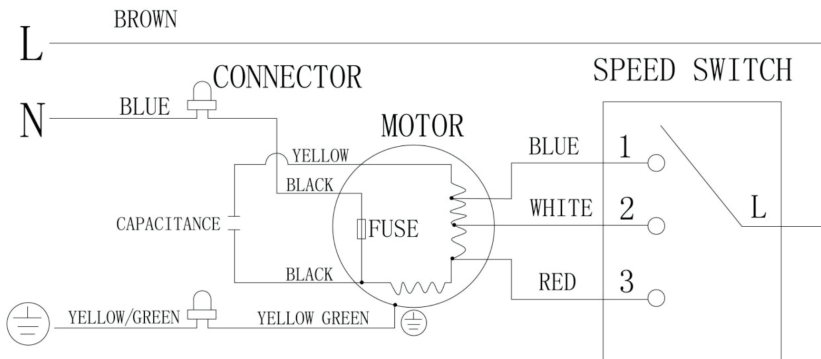
1. Unscrew the locking lever from the bottom of the outer pipe.
2. Turn the pipe upside down and slide the opening in the center of the pedestal fan base over the pipe. Place the black weight onto the base followed by the washer.
3. Insert the threaded end of the locking lever into the hole of the washer and through the base into the bottom of the stand. Turn the locking lever clockwise to secure and tighten the base to the pipe.

4. Turn the base over and set it on the floor.
5. Remove the tilt-locking hand nut from the motor connector and set aside.
6. Remove the bolt and knob, (main locking nut) small screw (this small screw is actually in the motor assembly , not the post. It should be removed or backed all the way out in step 5) from the top of the inner pipe and set aside.
7. Place the motor connector onto the top of the inner pipe and insert the bolt through the square hole of the motor connector. However, do not yet screw the knob (main locking nut) onto it.
8. Tighten the small screw fully into the motor connector, ensuring that it goes into the proper hole (see image to verify the position).



9. Now screw the knob (main locking nut) onto the other side of the bolt and tighten it.
10. Finally, screw the tilt-locking hand nut into the motor connector.
11. Remove the outer back guard locking screws (4 pieces) from the front cover of the motor.
12. Position the back guard over the motor shaft, fitting the holes in the back guard over the four screw holes on the outside of the motor. Make sure the handle is at the top.
13. Secure the back guard by screwing in the four back guard locking screws.
14. Loosen the securing screw on the pedestal fan blade. Slide the pedestal fan blade onto the mounting shaft with the shaft sleeve facing the motor. Align securing screw with flat groove in the motor shaft and tighten with a Philips screwdriver.
15. Remove the small securing bolt from the bottom of the front guard. Position front guard so the logo is horizontal, and make sure the guard clips are open. Secure the top tab to the back guard. Fasten the guards together with the securing bolt. Hold the front guard against the back guard and snap the guard clips closed to complete the assembly.

ELECTRIC SCHEMATIC DIAGRAM



OPERATING INSTRUCTIONS

- Turn the speed control to select speeds: 0 (off) and speeds I (Low), II (Middle), III (High).
- The pedestal fan can operate in oscillation or stationary mode. Press the oscillation knob down to activate the oscillating mode. To stop oscillation, pull the knob upward.
- To adjust the angle of the pedestal fan head, loosen the adjustable-tilt knob and move the pedestal fan head to the desired angle. Firmly tighten the knob to secure into place.

CARE AND CLEANING

Unplug the pedestal fan before cleaning or making repairs. NOTE: If for any reason this unit requires service, return appliance to manufacturer or a similarly qualified service agent to ensure safety.

CLEANING

- Disconnect the power cord from the socket. Remove the front guard and the blades carefully. Do not drop the blades! First use a soft cloth with light soap to clean off oil stains. Then wipe dry and polish with a dry cloth. Never use polish or any corrosive liquid that will damage the paint, metal or plastic! Put back the blades and lock the guard securely before use.
- Never use abrasive cleaning agents or solvents. This may cause damage or deterioration to the surface of the unit.
- Do not allow water to drip on or into the pedestal fan motor housing.
- The pedestal fan blade and guard may be cleaned with a damp cloth and mild detergent.
- Reassemble the pedestal fan after the parts have dried completely. To do so, replace the pedestal fan blade, tighten the securing screw, and secure the front guard. Do not plug the pedestal fan into an electrical outlet until it is fully reassembled.

STORAGE

- When not in use, store the pedestal fan in a cool, dry location. To prevent dust and dirt build-up, use the old packaging to repack the unit.

PROBLEM SOLVING

If the pedestal fan will not operate:

- Confirm that the pedestal fan switch is not in the off position.
- Make sure the electricity to the main fuse is working. For troubleshooting assistance, contact our returns department.



WARRANTY



LIMITED WARRANTY

Hydrofarm warrants the **ACFP2018** to be free from defects in materials and workmanship. The warranty term is for 1 year beginning on the date of purchase. Misuse, abuse, or failure to follow instructions is not covered under this warranty. Hydrofarm's warranty liability extends only to the replacement cost of the product. Hydrofarm will not be liable for any consequential, indirect, or incidental damages of any kind, including lost revenues, lost profits, or other losses in connection with the product. Some states do not allow limitation on how long an implied warranty lasts or the exclusion of incidental or consequential damages, so the above limitations or exclusions may not apply to you. Hydrofarm will, at our discretion, repair or replace the **ACFP2018** covered under this warranty if it is returned to the original place of purchase. To request warranty service, please return the **ACFP2018**, with original sales receipt and original packaging, to your place of purchase. The purchase date is based on your original sales receipt.



Thank you for choosing Active Air by Hydrofarm. For further information about Active Air products, videos, and technical information, please visit Hydrofarm.com



Get Connected with the Hydrofarm Community:



Like us on Facebook, follow us on Twitter, and check out *Hydrofarmtv* on YouTube and Instagram!

ACFP2018 Instructions revised - November 7, 2017 8:47 AM



Hydrofarm.com