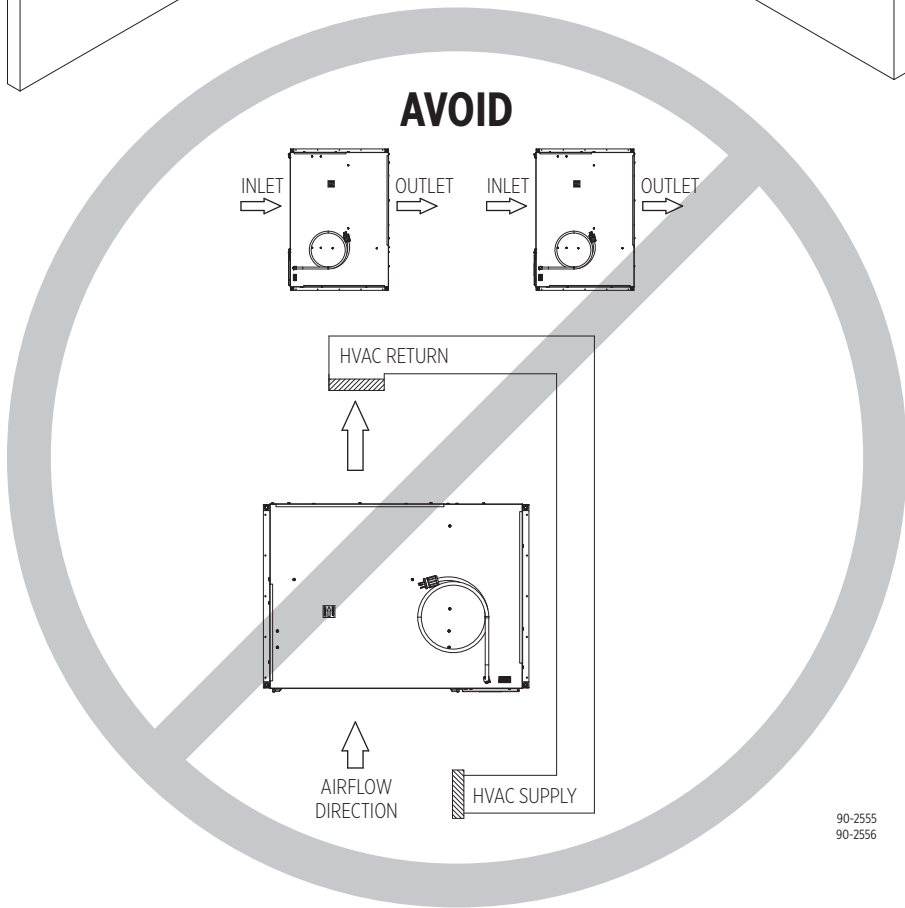
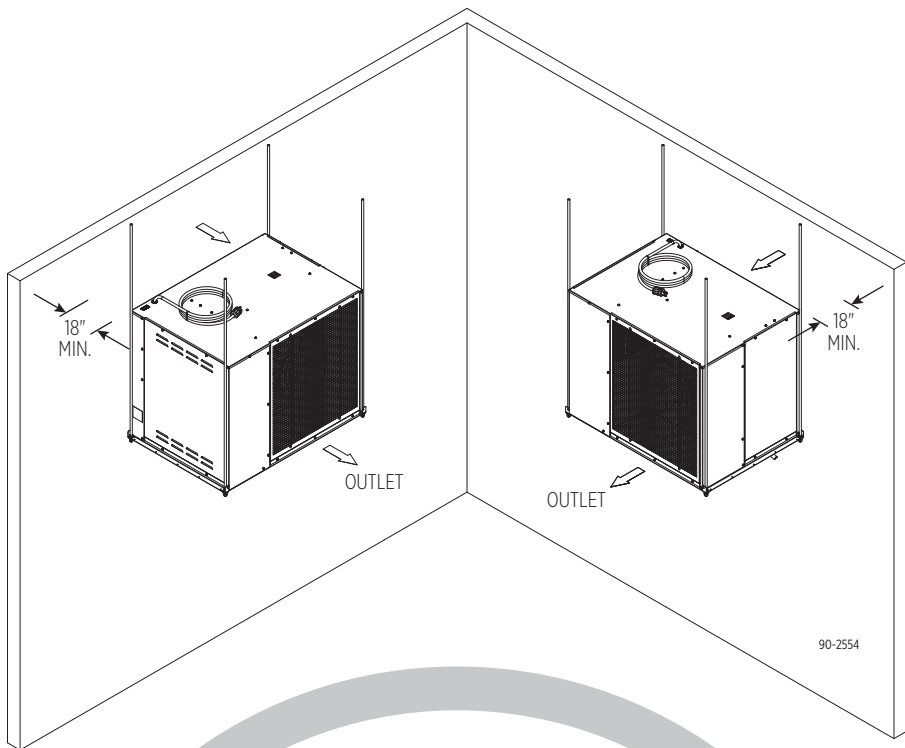
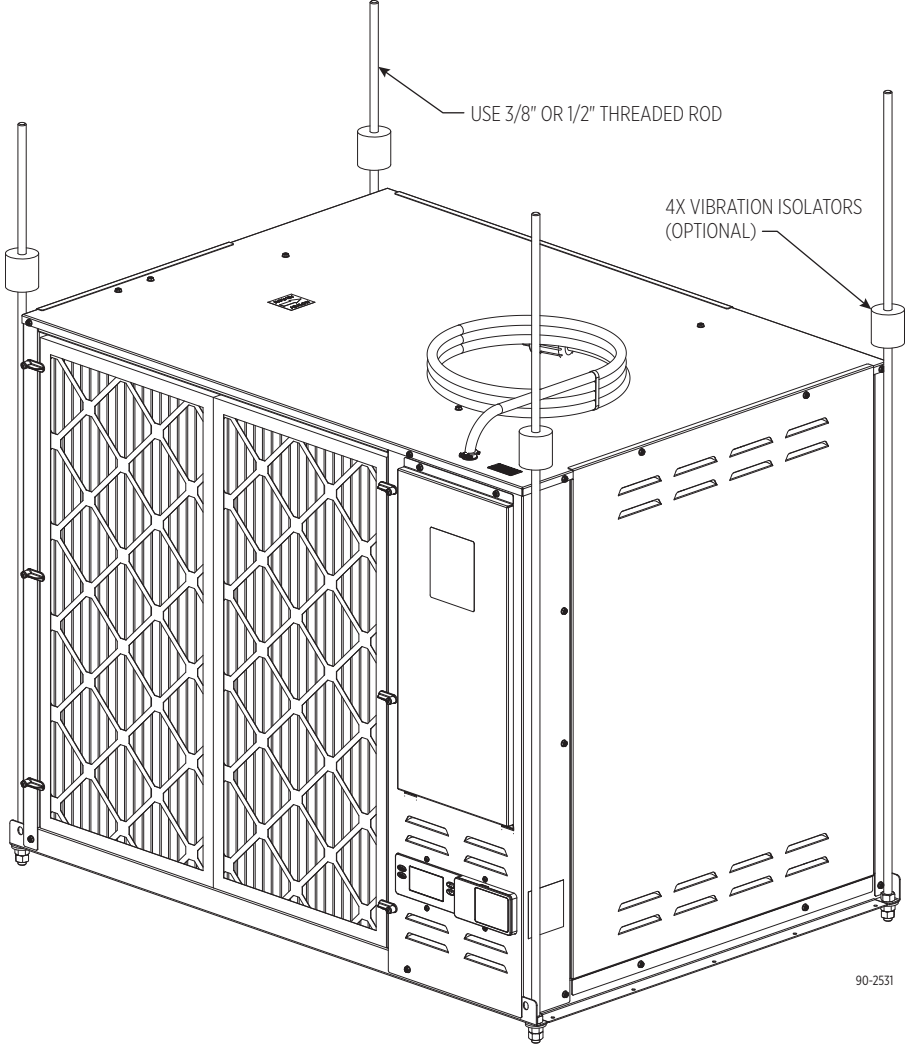


The Quick Start Guide is to be used as reference only. Installation is to be in accordance with Installation and Operating Instructions provided with the dehumidifier.

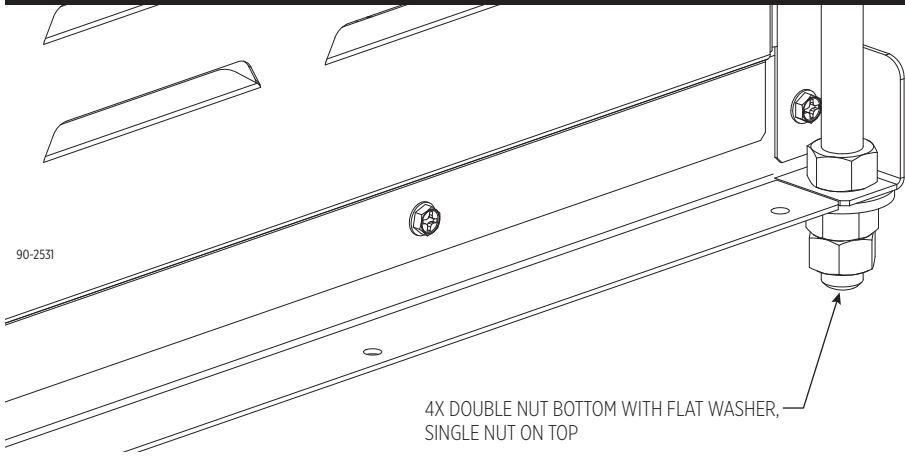
1A. PLACEMENT



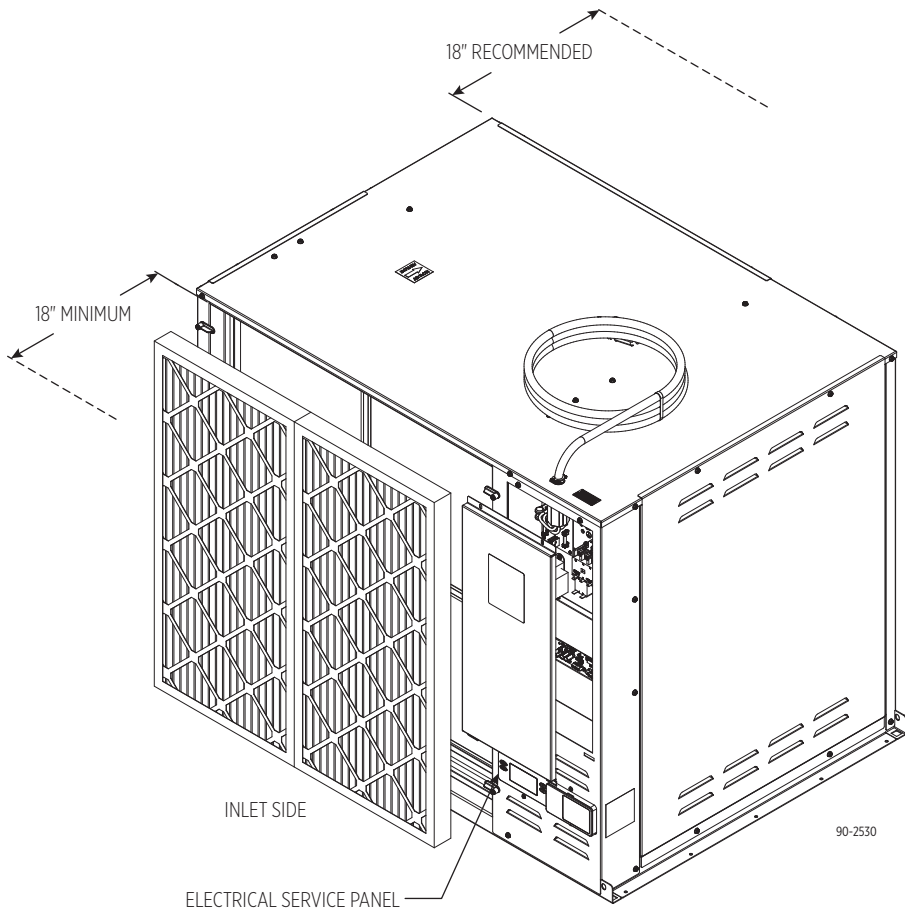
2. HANGING



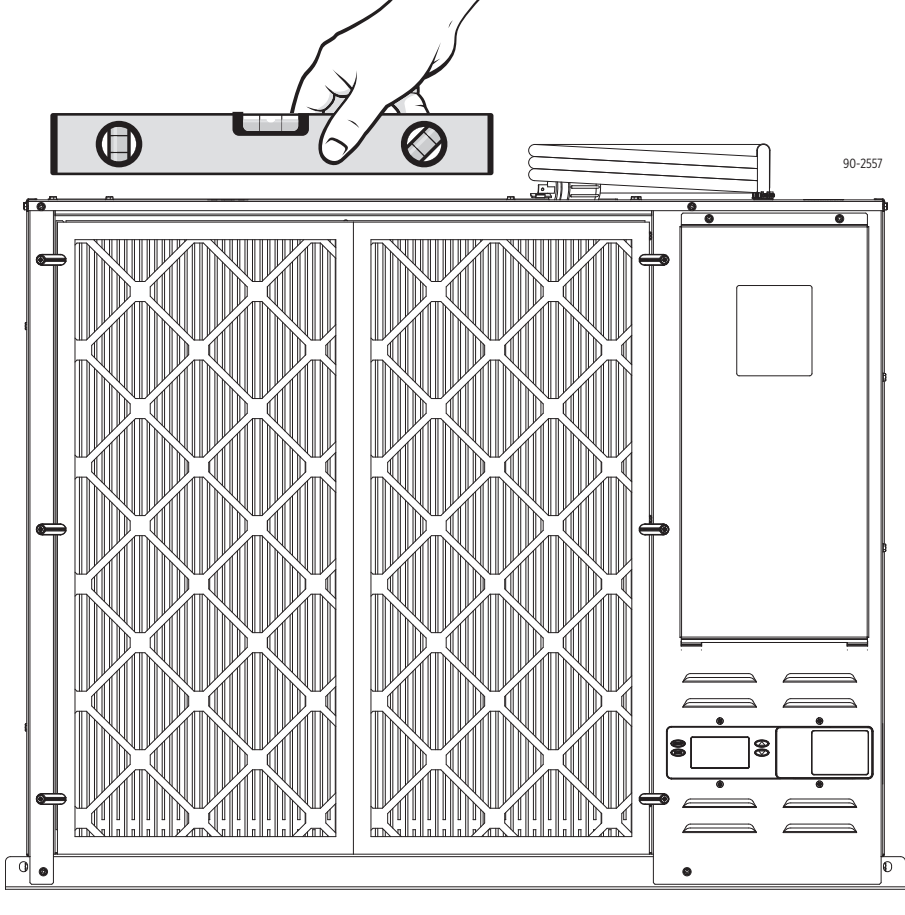
3. NUT & WASHER



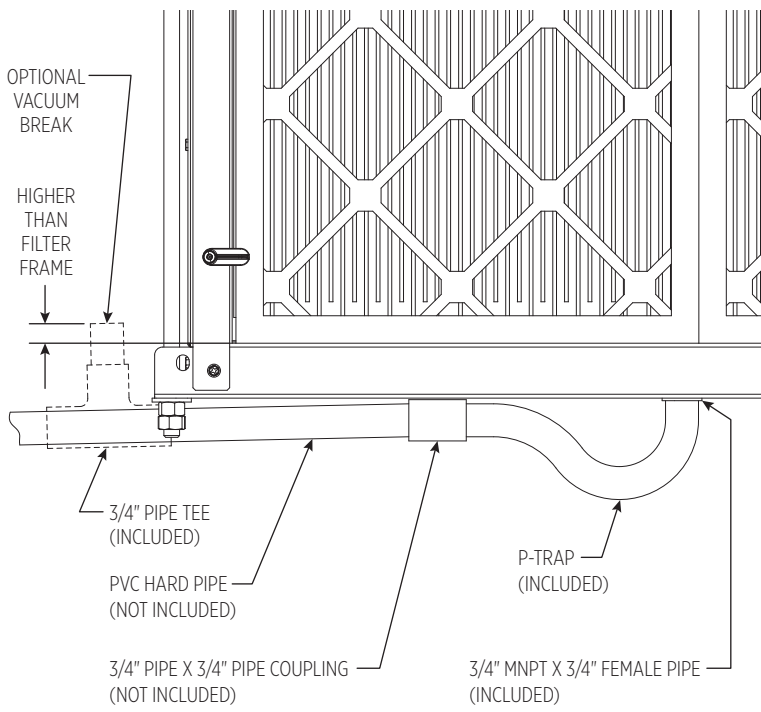
1B. CLEARANCES



4. LEVEL



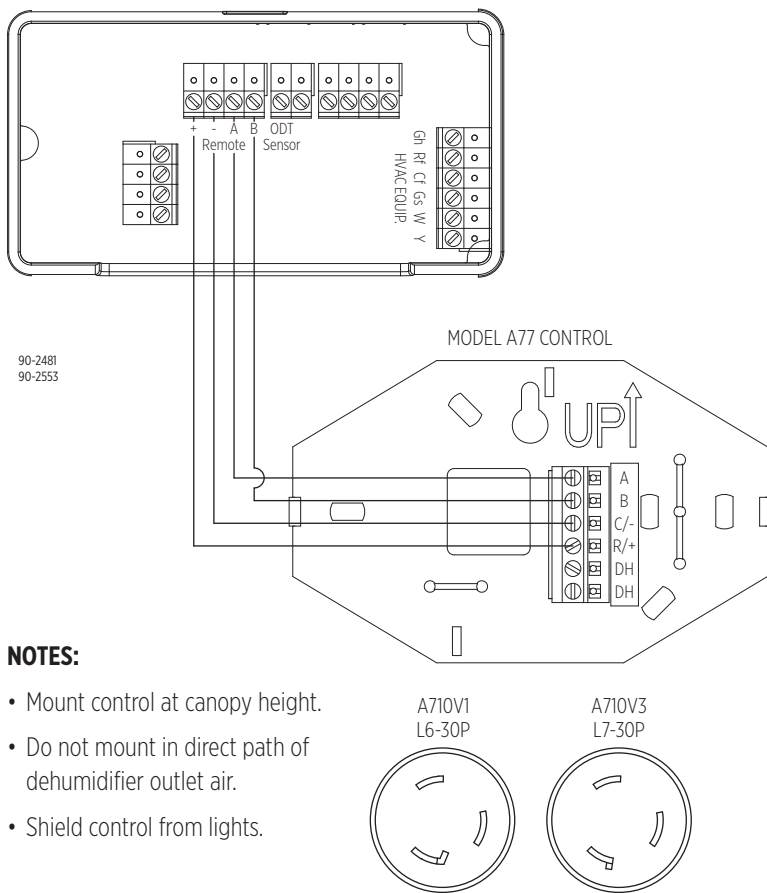
5. DRAIN CONNECTION



IMPORTANT NOTES:

- Do not double trap.
- Prime drain trap when installation is complete.
- Drain line must maintain a constant downward slope.
- Support the drain lines to prevent dips or sags.
- Do not submerge the end of the drain line in water to avoid microbial growth.
- Vacuum break is recommended when using a condensate pump or when connecting multiple drain lines.

6. WIRING



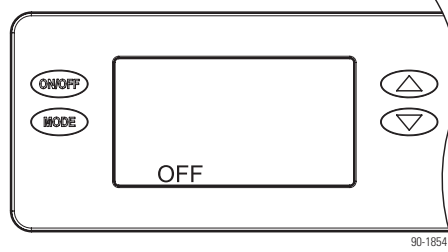
NOTES:

- Mount control at canopy height.
- Do not mount in direct path of dehumidifier outlet air.
- Shield control from lights.

7. SET-UP & SEQUENCE OF OPERATION WITH MODEL A77

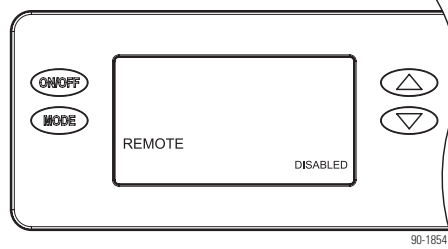
(REFER TO THE INSTALLATION MANUAL FOR SET UP AND WIRING OF ANY OTHER CONTROL)

1. Plug unit in and turn power switch to ON.
2. The on-board control screen should display OFF.

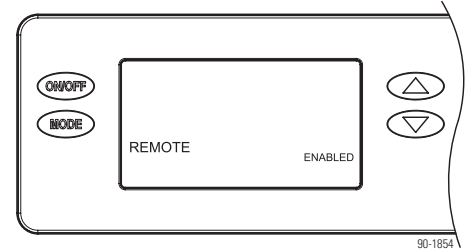


NOTE: The first button press will only turn on the backlight.

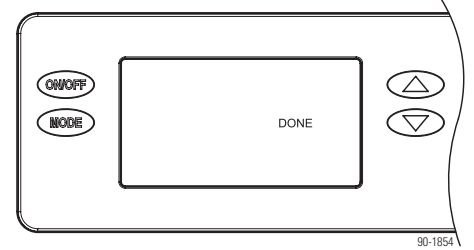
3. Hold the MODE button on the on-board control for 3 seconds to enter the Installer Set-up Menu.



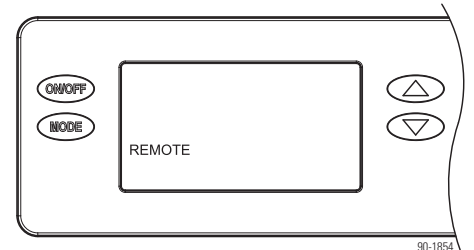
4. Press the UP or DOWN button to change to ENABLED.



5. Press MODE repeatedly until DONE shows on screen.



6. Press ON/OFF to turn ON.



SEQUENCE OF OPERATION

1. At the Model A77, press the ON button; the Model A77 will display the measured RH and ON.
2. Use the UP or DOWN button on the Model A77 to adjust the humidity setting as desired.
3. If the RH measured by the Model A77 rises above the setting, the dehumidifier will turn on. "DEHUMIDIFYING" will appear on the dehumidifier control display and ON will blink on the Model A77 to show that there is a call for dehumidification. The dehumidifier will turn off when the RH measured by the Model A77 drops 3% RH below the setting.

NOTE: When using the Model A77, there is an initial 3 minute delay at power-up before the dehumidifier compressor will turn on.

8. CODES (LOCATED ON BACK OF WIRE ACCESS COVER)

See the Installation Instructions for troubleshooting error codes. For additional assistance, Technical Support is available Monday through Friday, 7:00 a.m. to 5:00 p.m. CST, at (800) 972-3710.

Contact Technical Support before replacing the unit or components and for additional troubleshooting.

ERROR CODE	FAILURE MODE
E1	Internal %RH / Temperature Sensor Failure
E3	Model A77 Remote Control Communication Loss
E4	Insufficient Capacity
E5	High Temperature Thermistor Failure
E6	Low Temperature Thermistor Failure
E7	Float Switch Open
E8	Inlet Air Temperature Out of Range
E9	Fan or Compressor Fault