

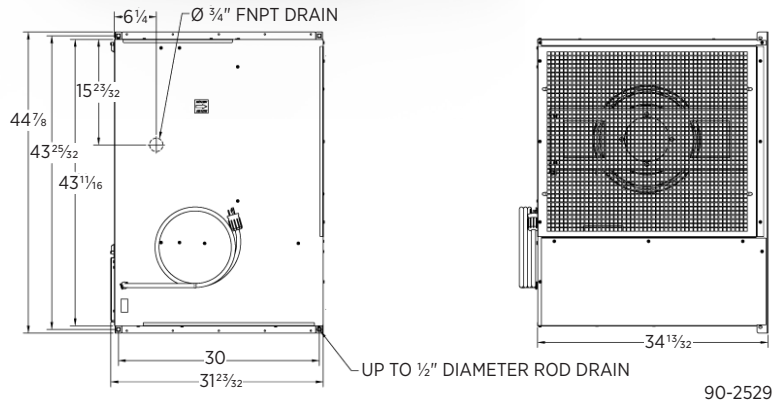
Project: _____
 Architect: _____
 Contractor: _____
 Suppliers: _____

Dealer: _____
 Engineer: _____
 Location: _____
 Date: _____

SPECIFICATIONS

Capacity⁽¹⁾ PPD AT 80°/60%RH	710
Energy factor⁽¹⁾	3.0 L/kWh 6.35 pints/kWh
Voltage, Phase, Frequency	208-240VAC, 1 Phase, 60 Hz
Current draw (amps)⁽¹⁾	19.6
Power (Watts)⁽¹⁾	4,706
Btu/h⁽²⁾	16,168
Breaker size	30 amp
Dimensions (cabinet only)	W: 44 7/8" H: 34 13/32" L: 31 23/32"
Weight	360 lbs.
Control	Onboard digital with diagnostics
Filter	29.5"x31.5"x1.75" MERV 11 (Part #5852)
Refrigerant	R410A
Coil type	Copper tube, Aluminum fin with I-coat
Power cord type	SJT, L6-30P, 10ft
Hardwire	Field-configurable
Drain connection*	3/4" FNPT
Drain fittings	3/4" MNPT x 3/4" BARB, 3/4" MNPT x 3/4" Female pipe, 3/4" x 3/4" x 3/4" T-Fitting, 3/4" P-Trap
Warranty	5 Years on all parts including refrigeration system

⁽¹⁾Rated capacity and energy factor test done and current draw measured at 80°F/60% RH inlet air at 0.0 ESP, 240 VAC.
⁽²⁾Total cooling load @ 80°F/60% RH and 240 VAC.
 *Requires drain trap



► ANDEN A710V1

The A710V1 features VLGR technology, which modulates the refrigeration system based on the load, allowing you to maximize VPD and provide greater control during late flower conditions.

► APPLICATION

The Anden Model A710V1 Dehumidifier is the perfect solution for the precise management of humidity required in an indoor growing environment.

The submittal is intended to show general, overall product dimensions and provide guidance for installation clearance. Drawings are not to scale. Ensure submittals are current. Research Products reserves the rights to make product change without notifications or obligations.