
USER MANUAL

PHOTO BIO[®]

PHOTOBIO•TX2

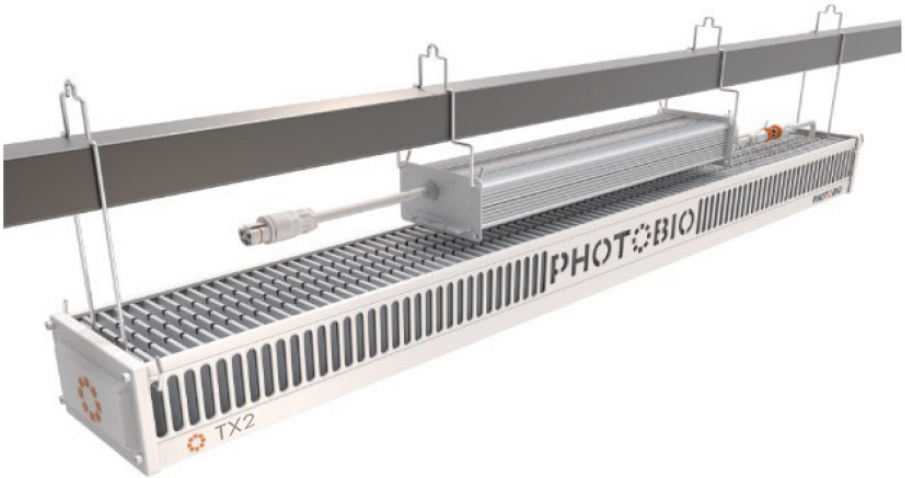


PHOTO BIO

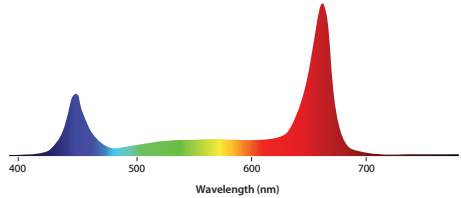
USER MANUAL

OVERVIEW

- 2423 $\mu\text{mol/s}$ PBAR
- 2400 $\mu\text{mol/s}$ PPF
- 3.0 $\mu\text{mol/J}$
- Driver can be stacked or mounted remotely
- 5-year warranty
- 200–480V Driver range
- IP65 wet location rated protection against water and dust capable driver

SPECTRA S5 SPECTRUM

Normalized Photon Output

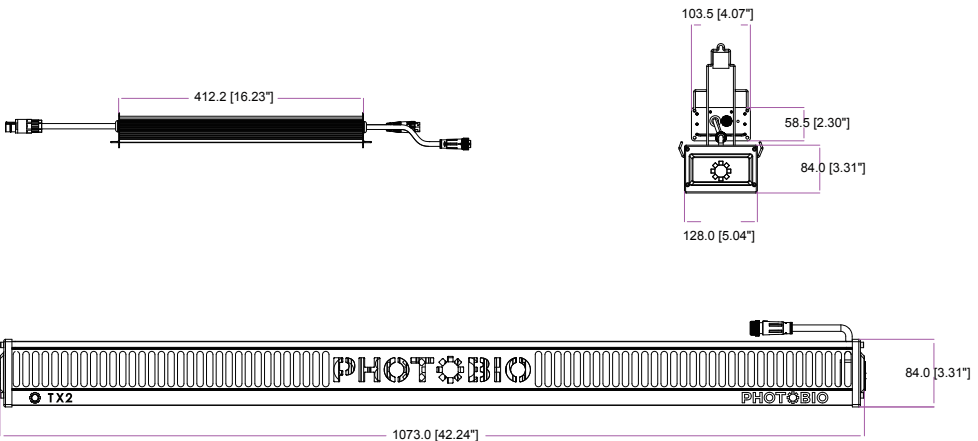


ELECTRICAL SPECIFICATIONS

Item Code	PTBZ1000580S5X
Model	PHOTOBIO•TX2 800W
Spectrum	S5
Application	Vegetative & Flowering
Photon Flux ($\mu\text{mol/s}$)	2400
Fixture Power (W)	800
Efficacy ($\mu\text{mol/J}$)	3.0

Dimming	0–10V
IP	IP65
Weight	18.0 lbs / 8.18 Kg
Voltage	200–480V
Max Input Power	840W
Frequency	50/60Hz
Lifetime to Q90	50,000 hrs

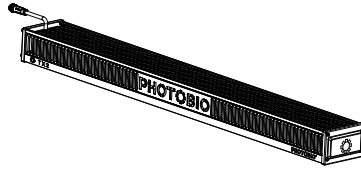
PRODUCT DIMENSIONS



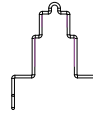
USER MANUAL

PARTS LIST

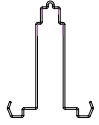
- A: PHOTOBIO-TX2 fixture (x1)
- B: Driver Hanger A (x2)
- C: Fixture Hanger (x2)
- D: Driver (x1)
- E: T dimming cable (x1)
- F: Driver Hanger B (x2)



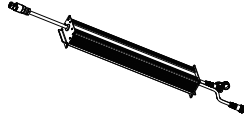
A



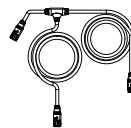
B



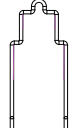
C



D



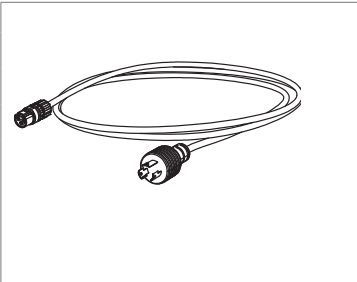
E



F

CABLE HARNESSES & ACCESSORIES (Sold separately)

POWER CABLE HARNESSES are sold separately based upon your specific requirements.



Type of Male	Item Code	Description
	CHE1063000W	10' F 16AWG WT w/leads, Harness
	CHE1063010W	10' F 16AWG WT 110-120V Plug, 5-15P, Harness
	CHE1063015W	10' F 16AWG WT 208-240V Plug, 6-15P, Harness
	CHE1083020W	10' F 18AWG WT locking 277V, L7-15P, Harness
	CHE1083021W	10' F 18AWG WT locking 277V, L7-20P, Harness
	CHE1083025W	10' F 18AWG WT locking 347V, L24-20P, Harness
	CHE1083030W	10' F 18AWG WT locking 480V, L8-20P, Harness

PHOTOBIO DC 0-10V

The PHOTOBIO DC 0_10V Control Cable enables multiple LED fixtures to be interconnected and controlled from a centralized location.

AUTOPILOT PX2 ADVANCED LIGHTING CONTROLLER

Centralized control of up to 80 PHOTOBIO fixtures. Provides dual zone photoperiod timing, photosynthetic photon flux scheduling, temperature based auto-dimming, high temp shutdown, sunrise/sunset simulation, with built in battery backup.

Product image	Item Code	Description
	PTBCC8850W	PHOTOBIO PHOTO-LOC 0-10V Control Cable 8' Trunk + 5' Branch (white)
	APDPX2	Autopilot PX2 Advanced Lighting Controller

USER MANUAL



WARNING – POSSIBLE RISK OF INJURY TO EYES AND SKIN

Hazardous optical UV, HEV, and IR radiation may be emitted from the light source. Always wear personal protective equipment ensuring complete shielding of skin and eyes. Avoid prolonged exposure and looking directly at light source.

WARNINGS

Please read these installation instruction carefully and keep it on hand. Before installing, servicing, or performing routine maintenance, follow these general precautions:

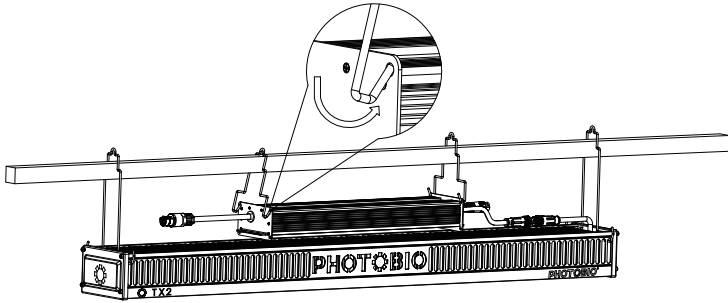
- For the installation: if you are unsure about the installation or maintenance of this fixture, consult a qualified licensed electrician and check your local electrical code.
- Do not make or alter any open holes in an enclosure of wiring or electrical components during kit installation.
- Turn off the power and unplug fixture when you perform any maintenance or cleaning activity.
- Verify that supply voltage is correct by comparing it with the information on spec label.
- Avoid hitting, bending or causing mechanical stress to the fixture.
- DO NOT cover or block any part of the fixture during operation.
- To ensure optimal performance, the back of the lighting panels may require periodic cleaning. Clean with compressed air or damp lint free cloth.
- 12" Clearance must be maintained from any combustible surface.
- Always provide a well-ventilated environment where ambient temperatures do not exceed 40°C (104°F) regardless of whether the fixtures are in operation or off. Excessive temperatures can inhibit performance and may cause damage or shorten the life of the fixtures and void the warranty.
- Do not run or store fixtures in the facility unless proper environmental cooling systems are in operation. Facilities that are “shut down” can record excessively high temperatures resulting in premature equipment failure.
- When calculating cooling needs for your facility, take into consideration BTU load generated by LED fixtures.
- This IP 65 LED fixture is intended for indoor use only. Avoid high pressure jets of water.
- Do not expose the fixture to the sulfur dioxide compound. If sulfur application is part of your practice, please make sure to remove the fixtures prior to this process.

Additional safety warnings:

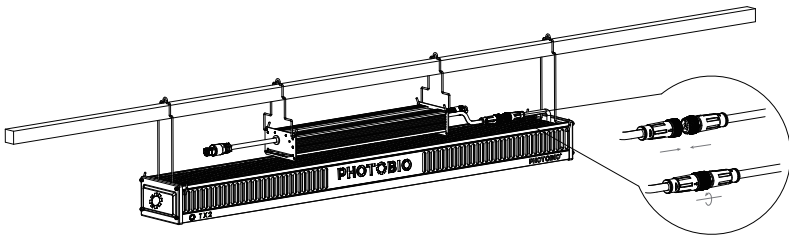
- Cables shall not be concealed or extended through a wall, floor, ceiling, or other parts of the building structure.
- Cables shall not be located above a suspended ceiling or dropped ceiling; permanently affixed to the building structure.
- Cables shall be routed so that they are not subject to strain and are protected from physical damage; and visible over their entire length.
- Cables shall be used within their rated ampacity as determined for the maximum temperature of the installed environment specified in the instructions.
- This device complies with part 15 of the FCC Rules. Operation is subject to the following two conditions: (1) This device may not cause harmful interference, and (2) this device must accept any interference received, including interference that may cause undesired operation.
- CAN ICES-3(B)/NMB-3(B)

USER MANUAL

Type A – Stacked Mounting



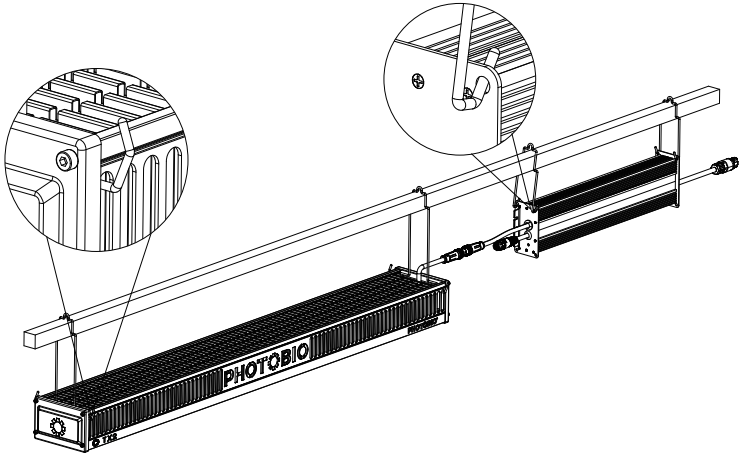
1. With Fixture Hanger and Driver Hanger A



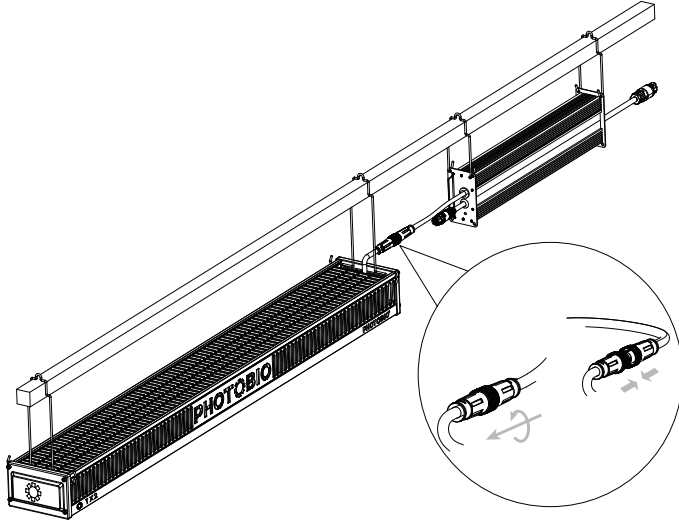
2. Connect DC cable

USER MANUAL

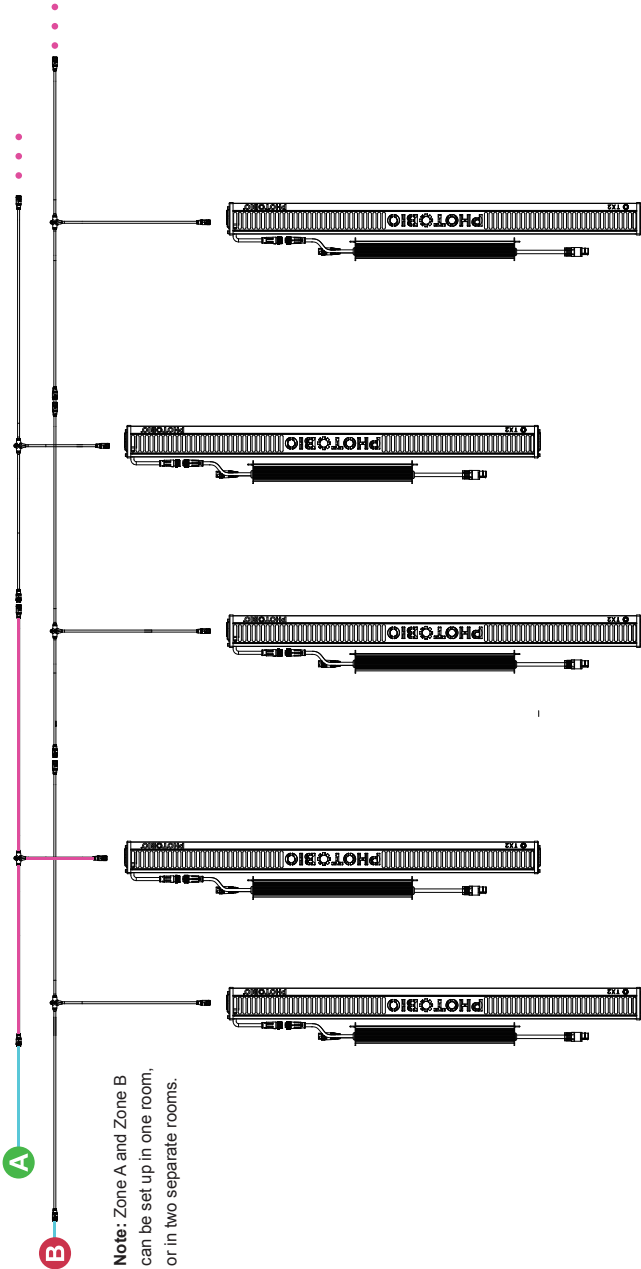
Type B – In-line Mounting



1. With Fixture Hanger and Driver Hanger B



2. Connect DC cable



IMPORTANT: Do not attach data link cables to AC power cable. Always keep low voltage data cables and high voltage AC power harness as far as possible from each other for stable signal transmission. Avoid coiling data cables as well as AC harnesses in tight coils. Excess cable should be managed by creating long loops as opposed to tight coils.



USER MANUAL



LIMITED WARRANTY

Hydrofarm warrants **PHOTOBIO•TX2** to be free from defects in materials and workmanship. The warranty term is for 5 years beginning on the date of purchase. Misuse, abuse, or failure to follow instructions is not covered under this warranty. Hydrofarm warranty liability extends only to the replacement cost of the product. Hydrofarm will not be liable for any consequential, indirect, or incidental damages of any kind, including lost revenues, lost profits, or other losses in connection with the product. Some states do not allow limitation on how long an implied warranty lasts or the exclusion of incidental or consequential damages, so the above limitations or exclusions may not apply to you. Hydrofarm will, at our discretion, repair or replace **PHOTOBIO•TX2** covered under this warranty if it is returned to the original place of purchase. To request warranty service, please return **PHOTOBIO•TX2**, with original sales receipt and original packaging to your place of purchase. The purchase date is based on your original sales receipt.



Thank you for choosing PHOTOBIO by Hydrofarm. For further information about PHOTOBIO products, videos and technical information, please visit Hydrofarm.com or Phantombio.com.

Get Connected with the Hydrofarm Community:



Like us on Facebook, follow us on Twitter, and check out **Hydrofarmtv** and PhotobioLED on YouTube and Instagram!