

USER MANUAL



240V T5 LIGHTING FIXTURES (4 FOOT)



FLT44240 and FLT48240

OVERVIEW

Thank you for purchasing the **FLT44240 or FLT48240** 240V T5 Lighting Fixture. Hydrofarm's 240V T5 system delivers performance, flexibility, and high lumen output in any growing environment. These systems allow you to choose multiple hanging configurations to meet your garden's design. They combine premium grade specular aluminum with energy-efficient/high-output T5 bulbs and put out double the light energy of normal fluorescent systems.

For information on additional Agrobrite products please visit Hydrofarm.com.



SPECIFICATIONS						
MODEL	MAIN VOLTAGE	MAX INPUT POWER	HZ	AMPS	DIMENSIONS	WEIGHT
FLT44240	240V	216W	50/60Hz	1.0A	46.2"L x 12.7"W x 2.7"H 1175(L)325(W)70(H)mm	14.7 lbs 6.7 kg
FLT48240	240V	432W	50/60Hz	2.0A	46.2"L x 23.8"W x 2.7"H 1175(L)605(W)70(H)mm	21.3 lbs 9.7 kg

PARTS LIST - (WHAT'S IN THE BOX)

- A** - T5 fluorescent fixture - 1 each
- B** - T5 lamps (depending on model/6400K (4 foot) - 4, or 8 each (pre-installed)
- C** - Hanger hooks - 2 each
- D** - 10' grounded power cord

INSTALLATION

1. Carefully remove all of the components from the box and the protective foam to ensure that your Hydrofarm T5 Fixture box includes all of the parts listed in the "KIT INCLUDES" information on the cover page.
2. Inspect the included components for any damage, missing parts, or other concerns. Contact your local retailer in order to get a replacement or new part if required.
3. If there is a protective film on the reflector surfaces, be sure to remove it completely prior to turning on the system.
4. To hang in the desired position, utilize the appropriate holes and slots with the hanging hooks.
5. For overhead hanging, use the holes and slots at the center on each end. For vertical hanging use only one of the hooks with the center end hole and slot set. See figure 1.
6. For horizontal hanging, utilize the holes and slots at the corners on each end. See figure 2.
7. These fixtures can be daisy-chained together. Follow the chart below to determine the maximum number of units that can be daisy-chained. Exceeding the recommended number of units is a safety hazard and will void warranty. The 8 tube units have on/off switches that allow you to tailor the amount of bulbs that are on to your specific growing needs.

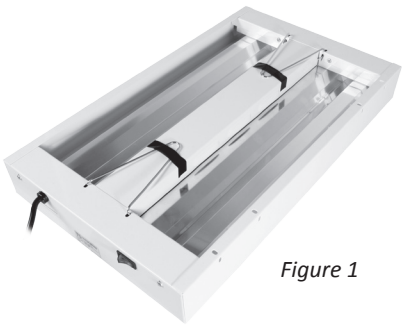


Figure 1

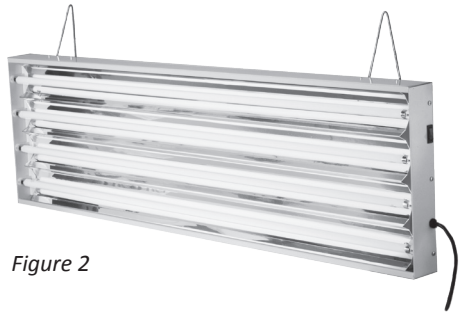


Figure 2

MODEL#	MAX # TO DAISY CHAIN
FLT44240	9
FLT48240	4

NOTE: Maximum fixture number is based on the assumption that the linked units are the same model number.

SPECIAL NOTES, INSTRUCTIONS AND OPTIONS

- Hydrofarm T5 fixtures with item codes ending with 240 are intended for 240V/60 Hz use only
- Avoid direct contact with water and liquids to prevent electric shock or internal damage to the unit
- Sunrise Reflector Hanging System (Part# RFSR) and Light Riser System (Part# LULIFT) will assist in easy access and adjustment for your gardening needs (Sunrise hangers are rated for 2' models and the 4' 4-lamp model only)
- On/off switches allow 4 and 8 tube models control over lumen output through number of illuminated tubes
- Lumen output may vary depending on electrical and other conditions

⚠ WARNING: DO NOT USE WITH DIMMERS

WARRANTY



LIMITED WARRANTY

Hydrofarm warrants the **FLT44240** or **FLT48240** to be free from defects in materials and workmanship. The warranty term is for 5 years beginning on the date of purchase, on the ballast portion of the fixture only. Misuse, abuse, or failure to follow instructions is not covered under this warranty. Hydrofarm's warranty liability extends only to the replacement cost of the product. Hydrofarm will not be liable for any consequential, indirect, or incidental damages of any kind, including lost revenues, lost profits, or other losses in connection with the product. Some states do not allow limitation on how long an implied warranty lasts or the exclusion of incidental or consequential damages, so the above limitations or exclusions may not apply to you. Hydrofarm will, at our discretion, repair or replace the **FLT44240** or **FLT48240** covered under this warranty if it is returned to the original place of purchase. To request warranty service, please return the **FLT44240** or **FLT48240** with original sales receipt and original packaging, to your place of purchase. The purchase date is based on your original sales receipt.



Thank you for choosing Agrobrite by Hydrofarm. For further information about Agrobrite products, videos, and technical information, please visit Hydrofarm.com

ADDITIONAL LANGUAGES OF THESE INSTRUCTIONS CAN BE FOUND AT Hydrofarm.com



Get Connected with the Hydrofarm Community:



Like us on Facebook, follow us on Twitter, and check out Hydrofarmtv on YouTube and Instagram!

FLT44240 and FLT48240 Instructions revised - November 3, 2017 5:06 PM



Hydrofarm.com