

# Phantom 60 Series 1000W Lighting System

## Open Reflector

PHRO1000277 – 277–400V

The Phantom 60 series represents the newest generation of HID lighting performance from the most trusted brand used by professional growers worldwide. The 60 series offers a compact and lightweight form factor in a modern design. The wide spread of the open reflector provides remarkable uniformity across plant canopies. The louvered design effectively dissipates heat while maintaining optimal lamp operational temperature in order to maximize lamp output. Easy installation and faster re-lamping process from the streamlined reflector design.



### Phantom 60 Series 1000W System Features – Open Reflector

Lamp Compatibility	1000W HPS or MH DE* lamps
Reflector	Open DE
Reflector Material	European 99.85% pure, 95% reflectivity
Ballast	Phantom DE Intelligent Controllable Ballast
Ballast and Armature Material	Aluminum
Socket	K12 x 30 lampholders
Fixture Weight	9.7 lbs

### Ballast Features – All Ballasts

- Microprocessor Control
- LED Status Indicator
- Open Circuit Protection
- Open Circuit Indicator
- Short Circuit Protection
- Short Circuit Indicator
- Overtemperature Protection
- Overtemperature Indicator
- End-of-Lamp-Life Sensor
- End-of-Lamp-Life Indicator
- Over/Undervoltage Protection
- Over/Undervoltage Indicator
- Patented Ignition Control
- RJ12 Port to Integrate with PX Lighting Controller
- Auto-restrike Protection
- Internal EMI Suppression
- Vent Plug
- 0–11.5V DC Analog Control Signal

### Ballast Electrical Specifications

<b>Ballast Model</b>	<b>PHB6024</b>
Output Power Settings	600W-660W-750W-825W-1000W-1150W-PX
Frequency	50/60Hz
Igniter Voltage	3–5 kV
THD	< 8%
CF	1.414–1.6
ta	40°C/104°F
tc	80°C/176°F
Wattage	1000W
Main Voltage	277–400V
Operating Voltage Range	249–440V
Max Input Power	1236W
Power Factor	>0.97

### Ballast Input Amperage Reference

Voltage	277V	347V	400V
Irated	4.8A	3.8A	3.3A
1150W	4.8A	3.8A	3.3A
1000W	4.1A	3.3A	2.8A
825W	3.4A	2.8A	2.4A
750W	3.1A	2.5A	2.2A
660W	2.8A	2.3A	2.0A
600W	2.5A	2.1A	1.8A

### Phantom 60 Series Safety Certifications

CSA/UL	Yes
FCC Commercial	Yes
IC Certification (Canada)	Yes

### Phantom 60 Series Operation Notes

\*Metal Halide Double Ended (MH DE) lamps must be open rated and run at 100% power only. For use with a generator, line conditioning equipment to control input voltage must be used in order to avoid damage to the ballasts. Contact us for details.

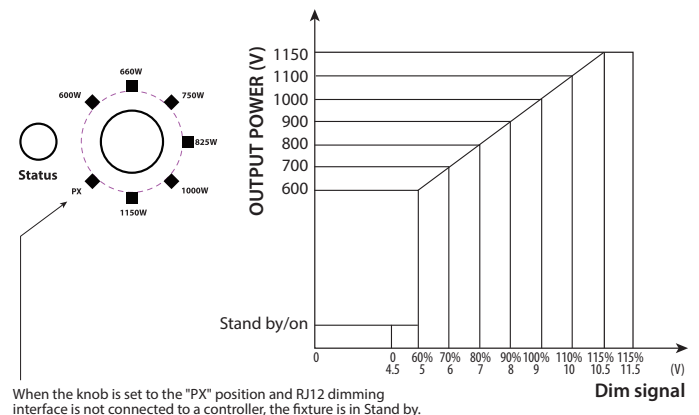
### Phantom 60 Series Optional Accessories

The truss hangers below (PHDETH3, sold separately) are designed to easily mount your Phantom fixture from Unistrut® or greenhouse C-channel strut for secure, level suspension in both a parallel or perpendicular orientation.



### Dimming Chart

Signal Voltage	Vdc < 4.5V	4.5VsVdc < 5V	5V	6V	7V	8V	9V	10V	10.5–11.5V
Ballast status	OFF	Stand by/on	60% (600W)	70% (700W)	80% (800W)	90% (900W)	100% (1000W)	110% (1100W)	115% (1150W)

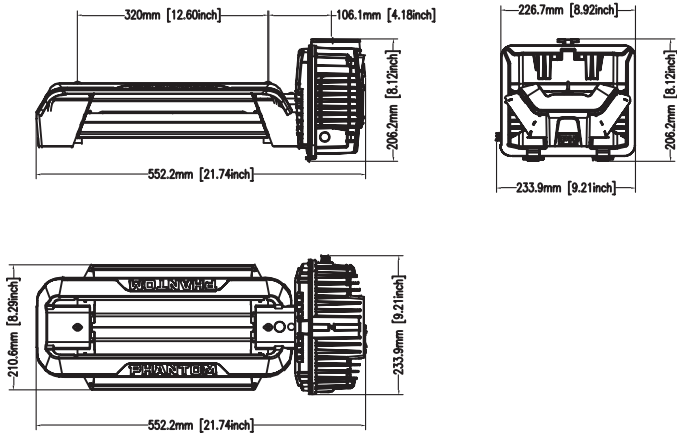


# Phantom 60 Series 1000W Lighting System

## Open Reflector

PHRO1000277 – 277-400V

### Dimensional Drawings

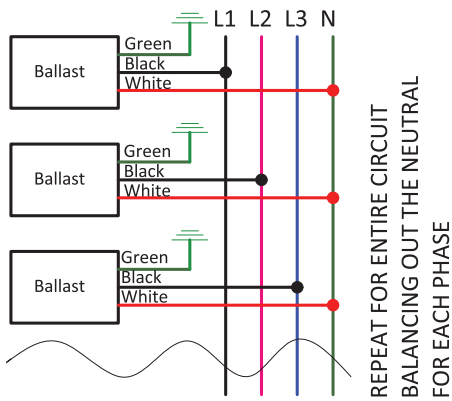


### Wiring Diagrams

Each ballast **MUST** be wired to the main's neutral line back to the circuit. **DO NOT** "daisy-chain" a neutral line with any other ballast.

## 277V/347V

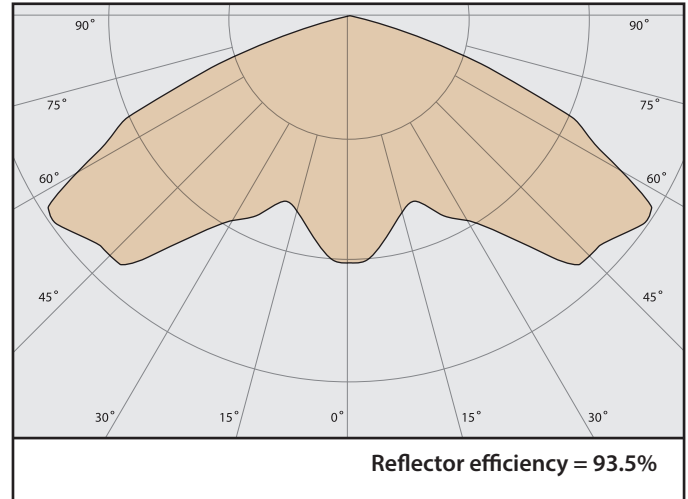
(Supply voltage 480V/600V)



### Compatible Lamps

- Agrosun 1000W 400V High Output HPS
- Phantom Pro 1000W DE HPS
- Phantom Pro 1000W DE MH
- Ushio AHS-DE 1000W/Pro-Plus
- Philips Master Green Power Plus 1000W EL
- BLV 1000 DE MH

### Polar Diagram



**⚠ WARNING: POSSIBLE RISK OF INJURY TO EYES AND SKIN.**

Hazardous optical UV, HEV, and IR radiation may be emitted from the light source. Always wear personal protective equipment ensuring complete shielding of skin and eyes. Avoid prolonged exposure and looking directly at light source.

**⚠ WARNING: FAILURE TO FOLLOW GUIDELINES COULD RESULT IN ELECTRICAL SHOCK.**

Do not touch, move, spray, or clean your light fixture when it is plugged in. Allow it to cool down before handling. Recommended mounting clearance for your fixture is 8"-12" on all sides. Do not mount directly to any surface. Make sure to disconnect the power when changing the lamp. This tech sheet is not in any way a replacement for a technical installation manual. Consult technical installation manual prior to installation.

### Power Harness Options

Item Code	Image	Type	Description
CHE1063000W		w/leads	10' F 16AWG WT w/ leads, Harness
CHE1083020W		277V	10' F 18AWG WT 277V, L7-15P, Harness
CHE1083021W		277V	10' F 18AWG WT, L7-20P, Harness

All rights reserved.  
Specifications are subject to change without notice.  
Trademarks are the property of Hydrofarm.

