



The Active Aqua difference

Active Aqua's pumps are built to last with premium components, BPA-free, and engineered specifically for hydroponic systems, fresh water aquariums, and ponds.



Customer rated #1 pump for Aquaponics!



Adjustable Flow Knob

Available in six sizes, our pumps offer a range of flow rates from 87 to over 1000 GPH.

Dual-Function – Use Submersible or Inline

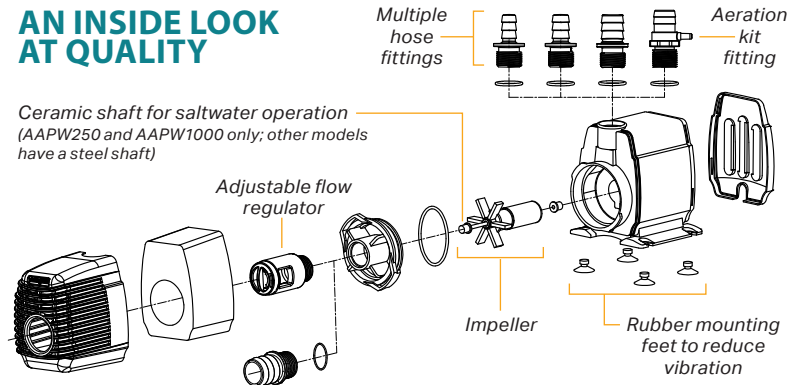
To switch to inline, simply open the screen housing, remove the mesh filter, and attach the barbed gray fitting to the inlet side.

Venturi Intake Aeration Kit

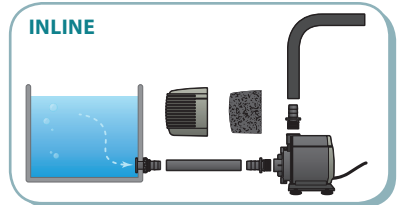
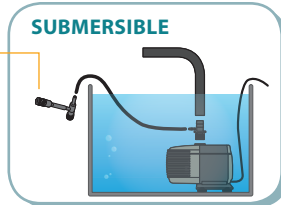
Models AAPW250–AAPW1000 allow you to naturally oxygenate your water.

AN INSIDE LOOK AT QUALITY

Ceramic shaft for saltwater operation (AAPW250 and AAPW1000 only; other models have a steel shaft)



VENTURI INTAKE provides air induction when the airline is connected and pump is running.



FEATURES

- Indoor / outdoor use
- Oil free / safe for aquaponic use
- UL-listed
- Multiple hose fittings for versatility
- 10 ft. heavy duty power cord
- Rubber mounting feet to reduce vibration and lengthen pump life
- Active Aqua pump bags available to prevent clogging and reduce cleaning maintenance

HEAD HEIGHT CHART – FLOW RATE (GPH)

