

CHEMICAL INJECTION SYSTEMS

AXEON® Chemical Injection Systems offer a wide range of capacities to meet various chemical treatment applications. Each system is composed of a chemical pump and polyethylene chemical tank, along with the necessary hoses and fittings for the pump.

AXEON Chemical Injection Systems have been designed to the highest industry standards and are available in capacities from 4 to 30 GPO. These systems feature quality components and a compact space saving design, which allows for easy maintenance and servicing.

AXEON Chemical Injection Systems feature Pulsafeeder Chem-Tech™ Series XP pumps with peristaltic technology that delivers worry-free dosing in a modern design. Each component of the Series XP is designed and manufactured for optimum reliability and durability for real performance.



BENEFITS

- Reliable metering performance
- Mixed fluid capable, inherently degassing
- Extended tube life
- Rugged, sealed gear train
- Easy tube change out
- Self priming
- Chemical resistant materials
- Simple installation
- Heavy duty tanks compatible with acids, caustics, and most water treatment chemicals

FEATURES

- Electronic timer module provides a 201 turndown control for enhanced flexibility
- Standard neoprene tube, resulting in extended tube life
- Peristaltic technology offers optimum reliability
- Rugged gear train
- Output capacity from 4 to 30 GPD
- Removable tank cover with 22° surface for mixer and mounting surface for chemical metering pump
- Integral 2" and 1" female top connections and 5" inspection port
- 100 pound rating tank cover



AXEON Chemicals
also available

APPLICATIONS

- Water purification and pollution control
- Iron, hydrogen sulfide and manganese removal
- Scale prevention
- Acid water neutralization
- Coagulation removal
- Waste water treatment
- Detergent and wetting agent metering

ENGINEERING DATA

- 20:1 Turndown
- 1/4" or 3/8" Tube Fittings
- 110 VAC / 60 HZ, 1/6 HP
- 220 VAC / 50 / 60 HZ
- 104 °F / 40 °C max.
- 28 lbs. / 12.70 kg.

COMMERCIAL SPECIFICATIONS

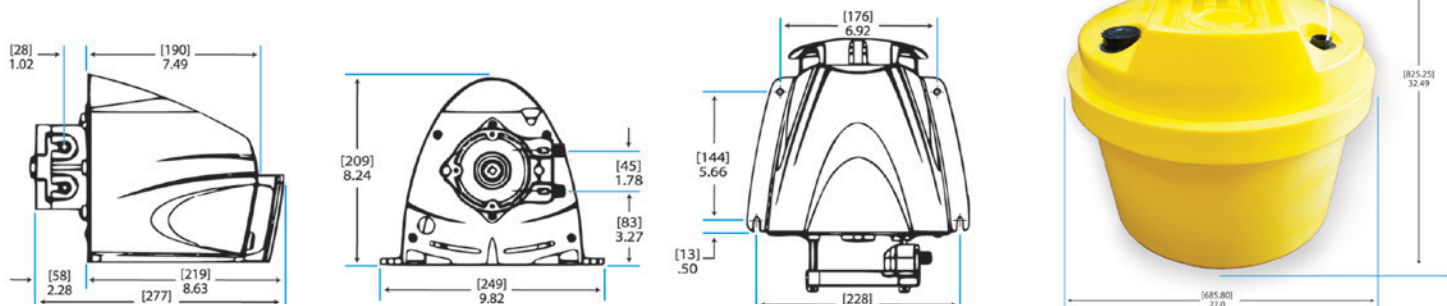
Part Number	Model	Flow Rating (gpd / lph)	Tank Size (gal / ltr)	Pressure Rating (psi / bar)				Tube Size	Speed (rpm)	Voltage
				'H' Tube (single)	'L' Tube (single)	'F' Tube (single)	'L' Tube (duplex)			
205600	XP4-30	4 / 0.6	30 / 113.6	125 / 8.6	80 / 5.5	60 / 4.1	80 / 5.5	2	30	110V
205601	XP4-30	4 / 0.6	30 / 113.6	125 / 8.6	80 / 5.5	60 / 4.1	80 / 5.5	2	30	220V
205602	XP15-30	15 / 2.4	30 / 113.6	110 / 7.6	70 / 4.8	50 / 3.4	70 / 4.8	3	30	110V
205603	XP15-30	15 / 2.4	30 / 113.6	110 / 7.6	70 / 4.8	50 / 3.4	70 / 4.8	3	30	220V

INDUSTRIAL SPECIFICATIONS

Part Number	Model	Flow Rating (gpd / lph)	Tank Size (gal / ltr)	Pressure Rating (psi / bar)				Tube Size	Speed (rpm)	Voltage
				'H' Tube (single)	'L' Tube (single)	'F' Tube (single)	'L' Tube (duplex)			
205604	XP30-30	30 / 4.7	30 / 113.6	80 / 5.5	50 / 3.4	N/A	40 / 2.8	6	30	110V
205605	XP30-30	30 / 4.7	30 / 113.6	80 / 5.5	50 / 3.4	N/A	40 / 2.8	6	30	220V
206586	XP30-50	30 / 4.7	50 / 189.3	N/A	N/A	N/A	N/A	N/A	30	220V

DIMENSIONS

Note: All dimensions are given as [mm] / in.



800-320-4074

AXEONwater.com



©2021 AXEON Water Technologies