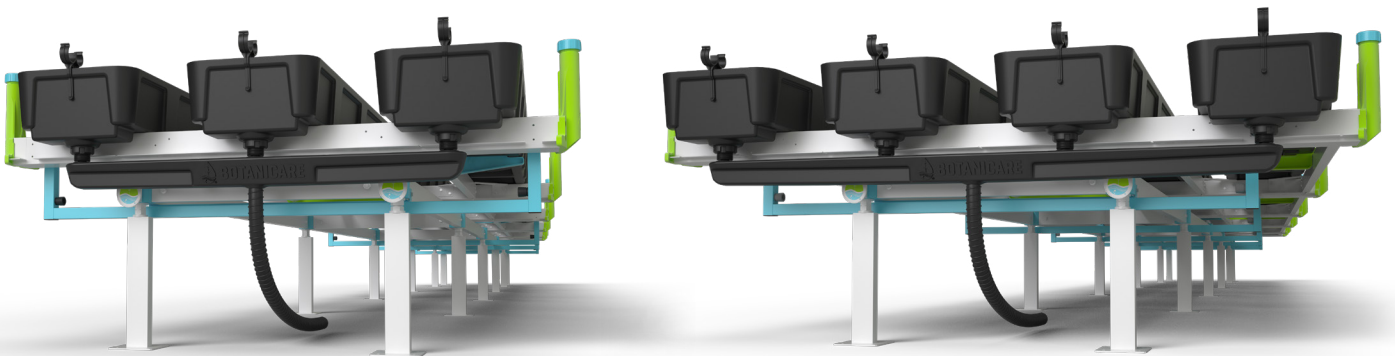




BOTANICARE®

GUTTER TRAY

SYSTEM



4ft

5ft

ASSEMBLY INSTRUCTIONS

USE IN TANDEM WITH SLIDE BENCH ASSEMBLY INSTRUCTIONS. THESE INSTRUCTIONS CAN BE FOUND AT www.botanicare.com/products/gutter-trays/



REFERENCE PNS:

HGC707001, HGC707002, HGC707003, HGC707004, HGC707005, HGC707006,
HGC707007, HGC707008, HGC707009, HGC707010, MC2571, MC2572, MC2573

REVISION 1 LB22254

Important Safety Precautions



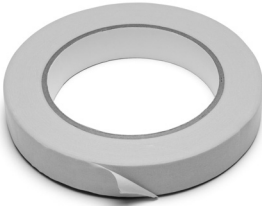
Read and follow all warnings and instructions before using the bench. Failure to heed direction could lead to serious personal injury, damage to the bench, or property damage. All safety precautions that apply for bench assembly also apply to this product.

Before You Get Started

Please take the time to read all the assembly instructions before attempting to assemble your Botanicare® Gutter Tray system. Remove the Botanicare® Original Grow Trays before proceeding with installation.

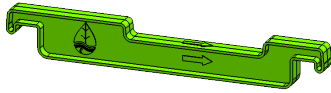
Tools Needed:

The following tools and supplies are required to complete the assembly of the Gutter Tray system to an already assembled bench:

<p>Isopropyl (Rubbing) Alcohol</p> 	<p>Clean Cloth Rags</p> 	<p>Caulk Gun</p> 
<p>1 3/8* Step Drill Bit</p> 	<p>Masking Tape</p> 	

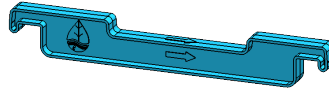
Parts List:

5ft Gutter Tray Support, Outer
(Color: Green)



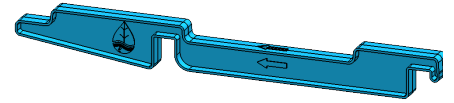
MC2571

5ft Gutter Tray Support, Inner
(Color: Blue)



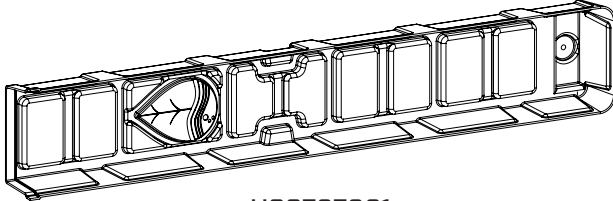
MC2572

4ft Gutter Tray Support
(Color: Blue)



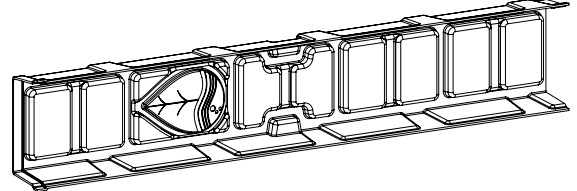
MC2573

Gutter Tray, Drain



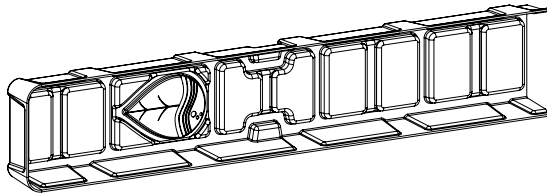
HGC707001

Gutter Tray, Mid



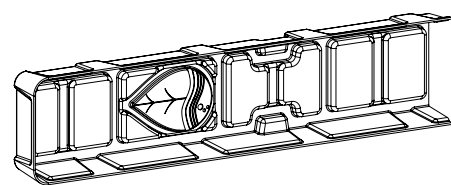
HGC707002

Gutter Tray, 5' L End



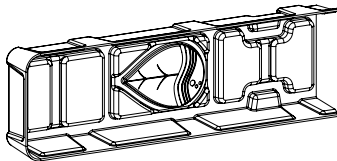
HGC707003

Gutter Tray, 4' L End



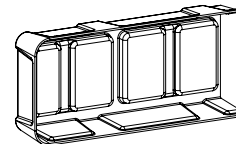
HGC707004

Gutter Tray, 3' L End



HGC707005

Gutter Tray, 2' L End



HGC707006

Gutter Manifold - 3 Drain
(Hose and Grommets included)



HGC707007

Gutter Manifold - 4 Drain
(Hose and Grommets included)



HGC707008

Irrigation Line Lock
(Sold in packs of 25)



HGC707009

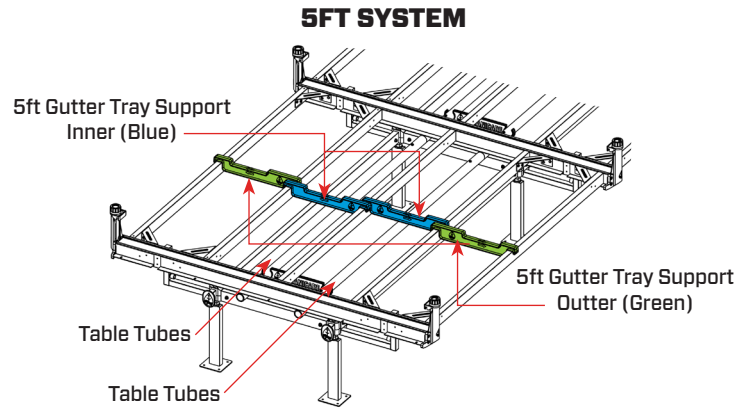
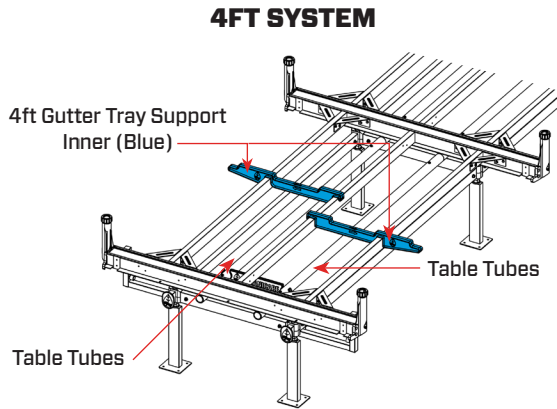
Header Lock
(Sold in packs of 10)



HGC707010

Step A: Install Gutter Tray Supports

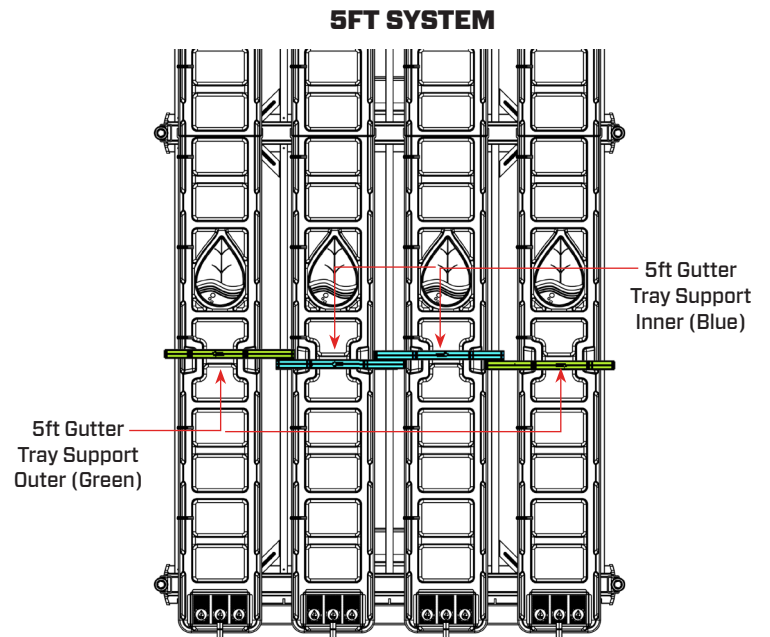
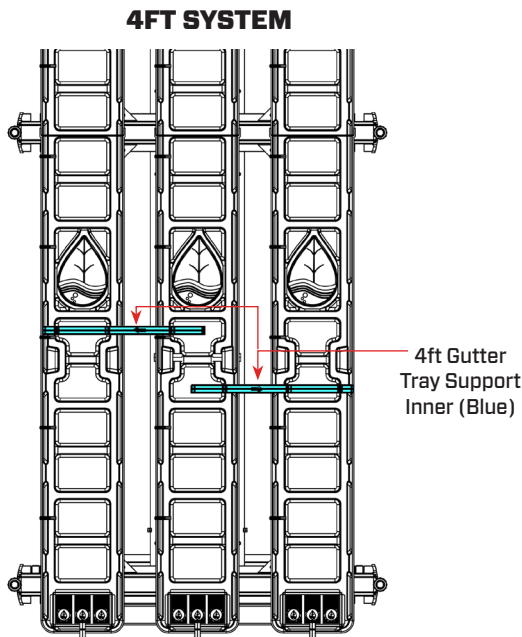
Gutter Tray Supports are used to lock the Gutter Trays in place and provide additional support. Insert the Supports on the Table Tubes with the arrows on the Gutter Tray Supports pointing towards the outside of the bench.



Step B: Dry Fit Gutter Trays

Dry fit all trays on the table to make sure all tray seams fall into the recess in the table extrusions and nest in the Gutter Tray Supports as shown below. For reference, the Botanicare raindrop on each tray should be facing the same direction.

TIP:
2ft and 3ft
Ends do not
receive Gutter
Tray Supports.

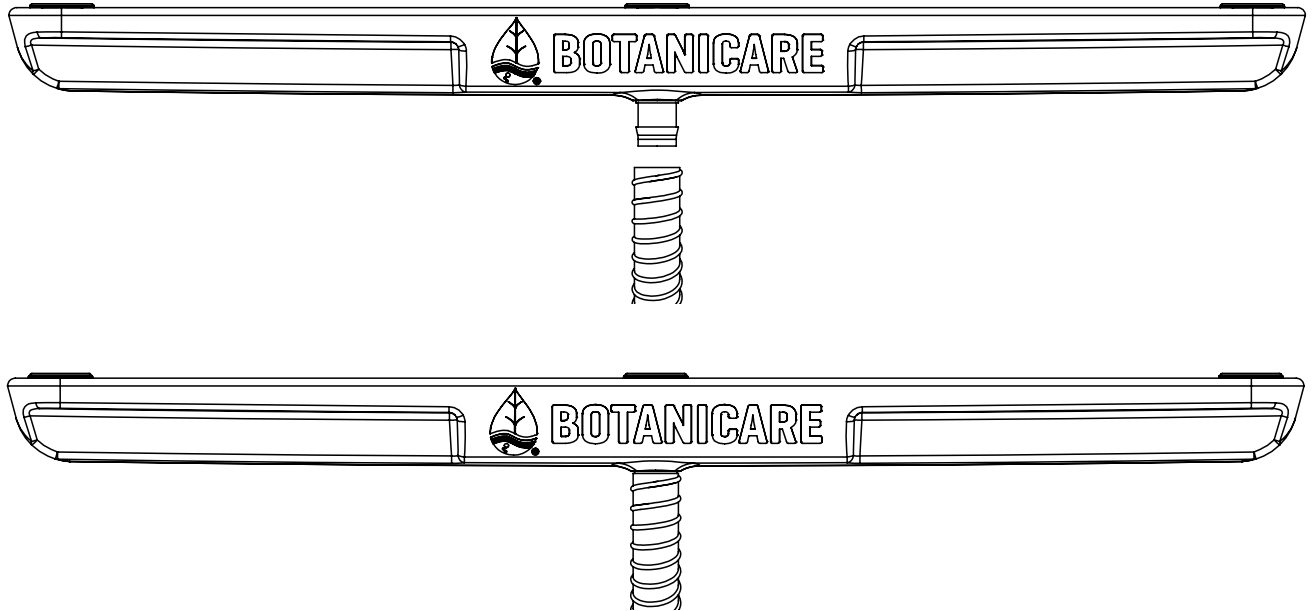


Step C: Attach Botanicare Bulkhead Fittings

Drill out the holes in the Drain tray to a diameter of 1-3/8" (35mm). Do not drill out to a size larger than 1-1/2" (38mm). Clean the area of any plastic chips that may interfere with the seal of the bulkhead fitting. If using the Botanicare Gutter Tray Drain Manifold, assemble the provided 3/4" Barbed Bulkhead to the drain hole of the Gutter Tray. Assemble the drain screen to the top of the drain tray.

Step D: Assemble Hose to the Drain Manifold

Attach the provided flexible hose to the hose barb of the Drain Manifold.



CAUTION:

Not using the provided flexible hose will reduce the lifespan of the Drain Manifold. This hose was selected to allow for the flex required to reduce stress on the Drain Manifold and prevent unwanted disassembly or breakage.



Spa Tube / Flexible PVC (DO NOT USE)



Flexible Vinyl Tube (DO NOT USE)



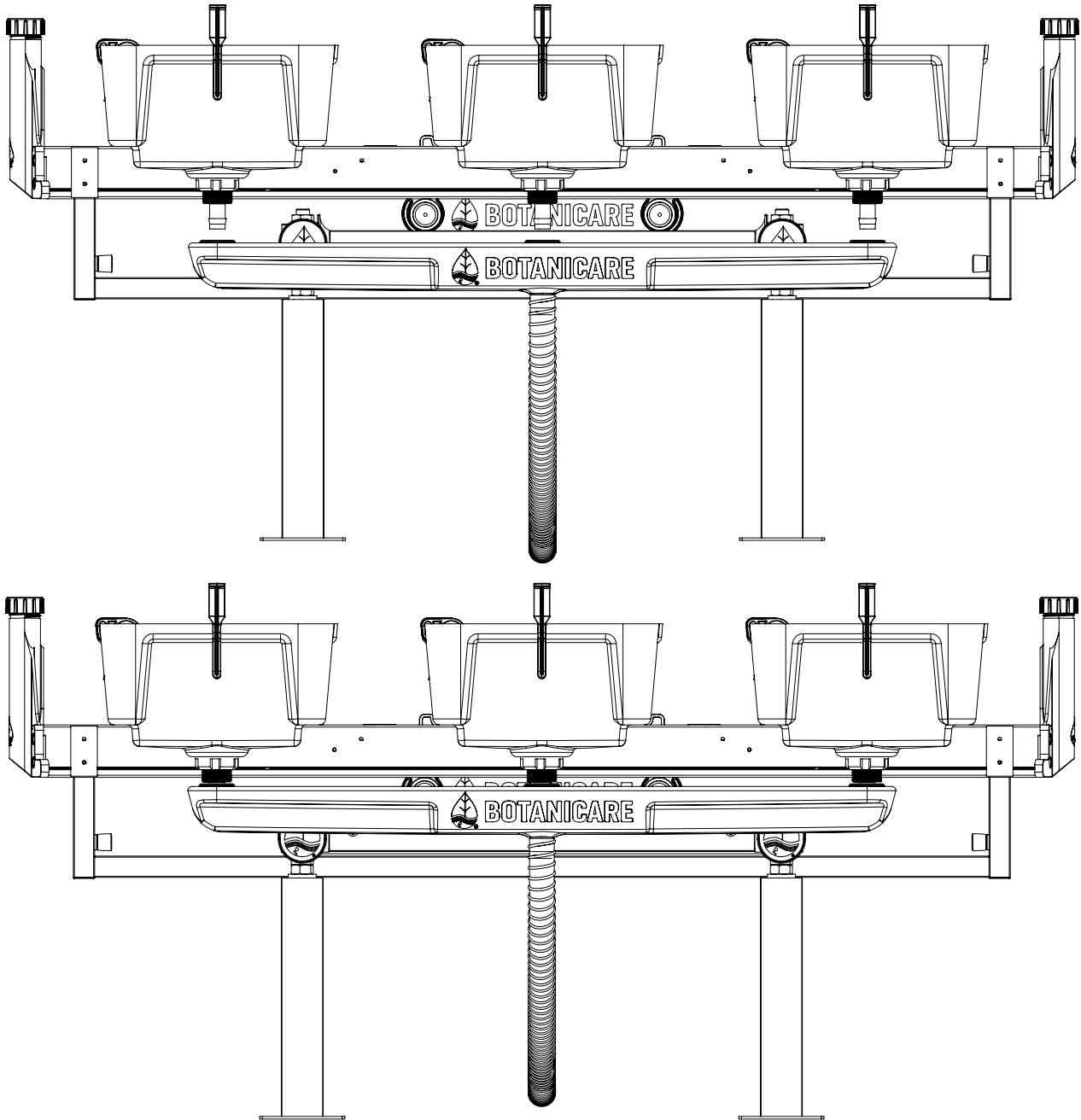
Provided Flexible Hose (USE)

TIPS:

- Slightly twist the hose clockwise as you push it onto the barb.
- Be sure to allow enough slack in the hose for the travel of the benching!
- To remove the hose from the Drain Manifold, rotate the hose clockwise as you pull.

Step E: Attach the Drain Manifold to the Bench

Line up the holes of the Drain Manifold to the bulkheads and push them into place until you hear and feel a light “click” - the Drain Manifold should hang level and securely. Note, another person may be required to apply downward pressure on the Drain Trays while the Drain Manifold is being installed. Route the provided flexible hose to your drain.



TIP:

When the Drain Manifold is disassembled from the bulkheads, the grommets will remain attached to the bulkhead fittings. When reinstalling, simply push the grommets and bulkheads back into the holes of the Drain Manifold until it is flush with the surface of the Drain Manifold.

Step F: Bond Gutter Trays with Botanicare® BOND THREE Tray Sealant

Perform tray assembly according to the bench assembly instructions.



Installation manual can be found at:
<https://www.botanicare.com/documentation/>

TIP:

When bonding tray seams, make sure the Drain Manifold and Gutter Tray Supports are installed properly to help keep trays aligned and the tray joints held tightly.

Clean all surfaces that will be bonded using Isopropyl Alcohol and clean cloths.

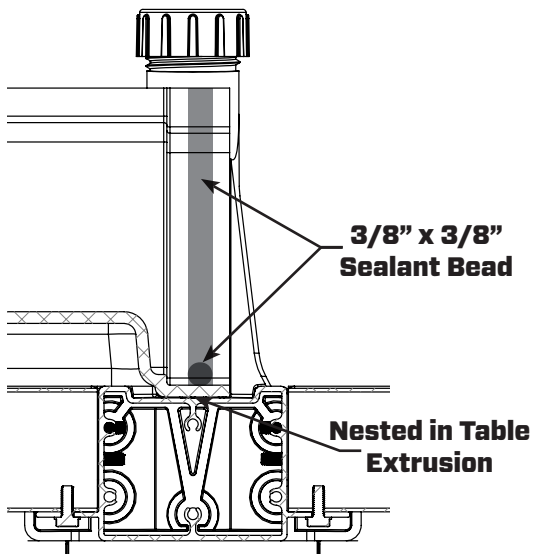
CAUTION:

Before using BOND THREE Lap Tray Sealant Adhesive, carefully read and follow all warnings and directions for use, located on package and in instructions.

Starting at the Drain tray, bond the tray seams together and use the Gutter Tray Supports to help keep trays aligned and the tray joints held tightly. The tray seam should nest inside the detent in the Table Extrusion.

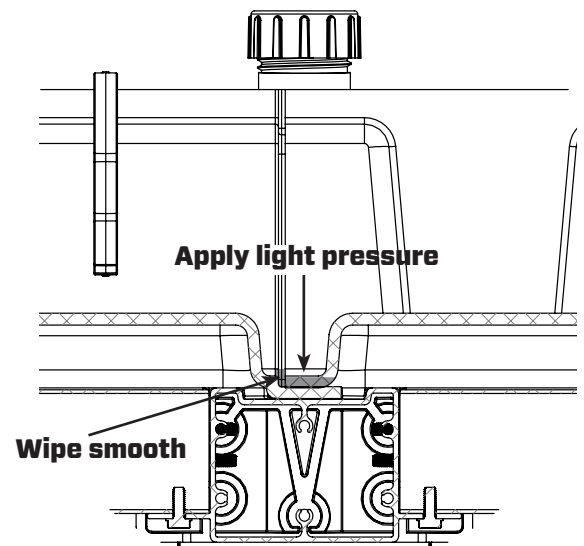
TIP:

Another person may be required to spread the walls of the receiving tray to keep the BOND THREE seal clean and uniform on the tray walls. Masking tape can be used to keep the tray walls engaged as the BOND THREE is curing.



CAUTION:

Complete all tray adjustments within 15 minutes of applying sealant. After 15 minutes, do not move or handle trays for 24 hours.

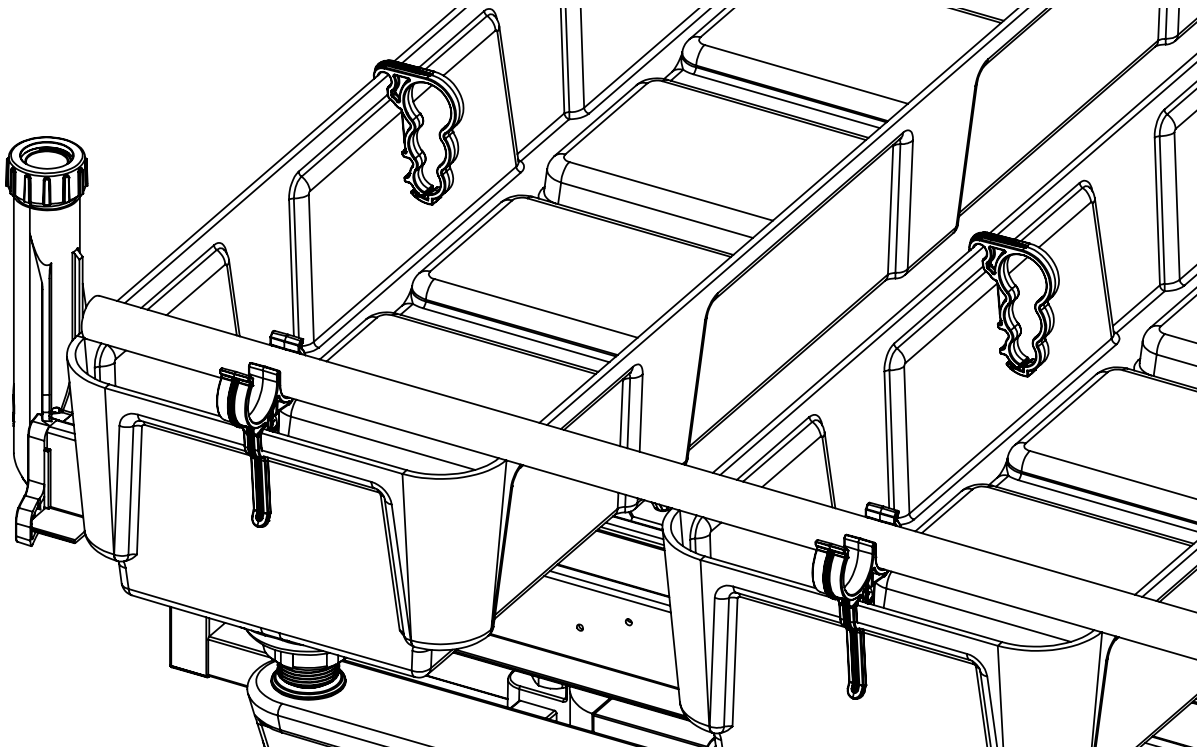


TIP:

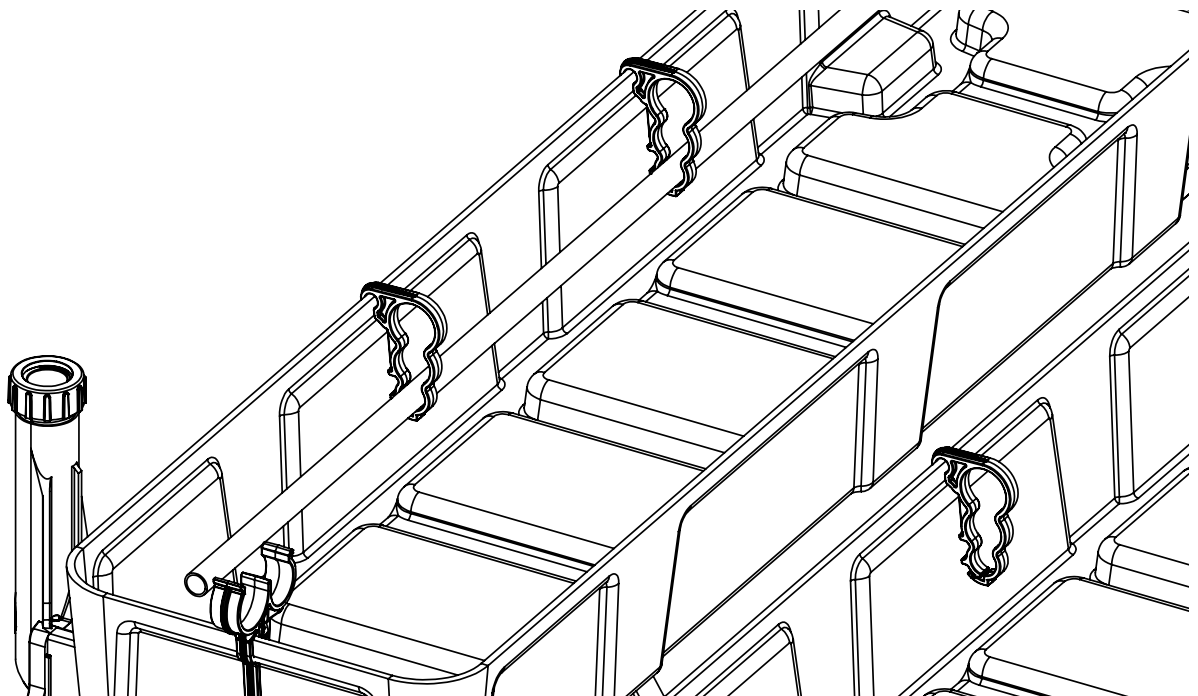
Do not apply too much pressure when bonding the trays together! BOND THREE is a sealant with adhesive properties that requires surface-to-surface bonding to be effective. Don't squeeze the trays too hard together forcing the sealant out of the lapped joint or the BOND THREE will lose its effectiveness.

Step G: Attach Irrigation Line Locks (Optional)

Push the Irrigation Line Lock over the edge of the tray until you hear and feel a “click”.

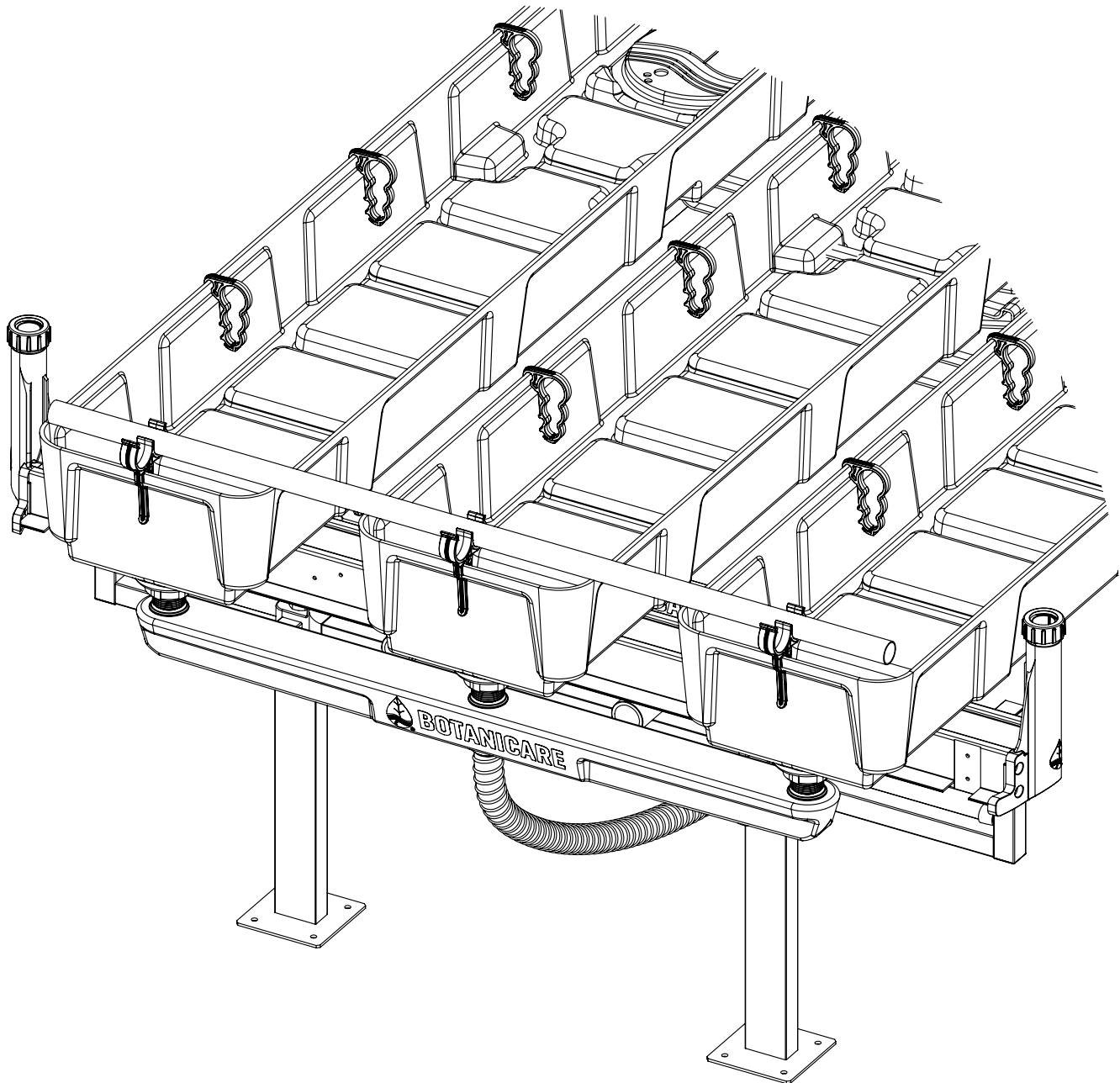


Insert irrigation lines into the proper hole size. Latch the Irrigation Line Lock closed. Continue this procedure down the length of the bench with 12” or 24” spacing between Line Locks.



Step H: Attach Header Locks (Optional)

Push the Header Lock over the edge of each Drain Tray until you hear and feel a “click” (similar to the Irrigation Line Locks). Insert headers (designed for nominal 3/4” and 1” SCH-40 PVC or similarly sized rigid pipe) into the correct size receptacle. Smaller sized pipe or flexible tubing may not allow the Header Locks to function as intended.





BOTANICARE®

LIMITED WARRANTY: When purchased from an authorized Hawthorne dealer, this product is covered by a LIMITED WARRANTY, available at hawthornegc.com/warranties. You can also obtain the Terms of Sale and Limited Warranty by calling Hawthorne toll-free at: 1-888-478-6544 or writing Hawthorne at:
Hawthorne Hydroponics LLC, 3204 NW 38th Circle, Vancouver, WA 98660, Attn: Customer Service.

TECHNICAL SUPPORT: 1-888-808-4826

THIS PAGE DOES NOT PRINT FOR TITLE BLOCK ONLY



HAWTHORNE™

ART			PRINTER		
Design Studio/Contact: Sheri Deane	SMG Design Project Number: 136038	Separator/Contact: OBF /	Printer & Location:	Print Method:	Color Stations:
Design File Name: HGC_LBXXXXX_BotanicareGutterTraySystem_Instructions_for_edit_230120aSD.indd			Additional Information:		
PRODUCTION/PACKAGE		VERSION	Colors: _____ _____ _____ _____		
Job Description: 2023 - New Packaging - HGC - Botanicare Gutter Trays Instruction Manual		1			
SKU #:	Package Type: Instruction Book				
Component #:	Substrate:	Date Modified: 01/20/23			
Scotts Project Number:	Printer Die Line #:	Operator:	REGULATORY SIZES		
Scotts Project Lead:	Translation Approval Code:	Final Artwork Size: 8.5x11	Label Portion Of Primary Front Panel In Square Inches (W X H)	000	Sq.Inches
File Name: 2023 - New Packaging - HGC - Botanicare Gutter Trays Instruction Manual			"Keep Out of Reach of Children"	000	Point
OBF Project #:	Wave:	UPC #:	"SIGNAL WORD (MUST BE IN ALL CAPS)"	000	Point
OBF Job #:	UPC SIZE:	UPC BW:	"Storage And Disposal" Heading	000	Point
			Minimum Font Size (All Panels)	6	Point

THIS PAGE PRINTS AT 00% REDUCTION OF THE ORIGINAL LABEL TO FIT ON 11" x 17" PAGE

LIMITATION OF LIABILITY

DO NOT PLATE, ENGRAVE, OR PROCEED TO PRESS WITH THIS FILE WITHOUT PROPER INSPECTION. All files and proofs must be thoroughly inspected by the recipient immediately upon receipt. It is the responsibility of the recipient to examine and proofread all files and proofs. In the event file(s) and/or proof(s) are found to be incorrect upon inspection, call 513-281-9999 and ask for the separation contact. The liability of Oberding Brand Family shall be limited to correcting and replacing the materials that we supplied that were found to be defective. Oberding Brand Family will not be liable for any other loss or damage including, but not limited to, cost of flexo printing plates that we did not make, print cylinders, inks, substrates/printed materials, and/or make ready and press time.