

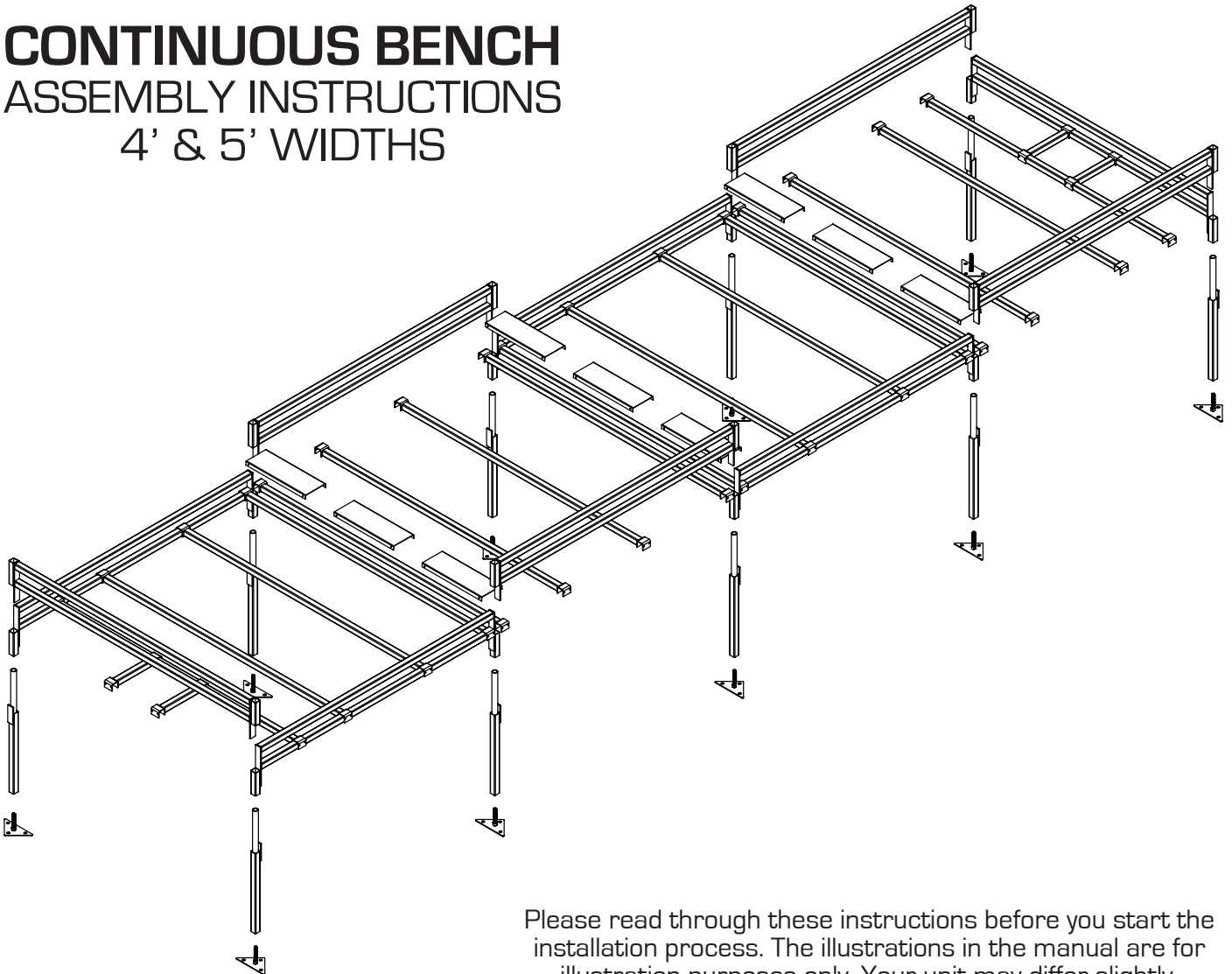


FASTFIT
 toolless assembly light & tray stands

CONTINUOUS BENCH

ASSEMBLY INSTRUCTIONS

4' & 5' WIDTHS



Please read through these instructions before you start the installation process. The illustrations in the manual are for illustration purposes only. Your unit may differ slightly.

TABLE OF CONTENTS:

2-3	WHAT YOU WILL NEED
3	END KIT 1 ASSEMBLY
4	SUPPLEMENT ASSEMBLY
4	MIDDLE KIT 1 ASSEMBLY
5	MIDDLE KIT 2 ASSEMBLY
5	END KIT 2 ASSEMBLY
6-7	FULL BENCH ASSEMBLY VIEWS
8	BOTANICARE CT TRAY SEALING GUIDE

WHAT YOU WILL NEED

4' BENCH PARTS

TOTAL BENCH LENGTH	HGC706112	HGC706137	HGC706123	HGC706117	HGC706114	TOTAL TRAYS NEEDED
	END KIT 1	SUPPLEMENT	MIDDLE KIT 1	MIDDLE KIT 2	END KIT 2	
8'	1	1	-	-	1	2
12'	2	1	1	-	-	3
16'	1	1	1	1	1	3
20'	2	1	2	1	-	4
24'	1	1	2	2	1	4

4' BOTANICARE® CT TRAY PARTS

TOTAL BENCH LENGTH	HGC707082	HGC707083	HGC707084	HGC707085	TOTAL TRAYS NEEDED
	DRAIN TRAY	END TRAY	MIDDLE TRAY 8 FT	MIDDLE TRAY 4 FT	
8'	1	1	-	-	2
12'	1	1	-	1	3
16'	1	1	1	-	3
20'	1	1	1	1	4
24'	1	1	2	-	4

5' BENCH PARTS

TOTAL BENCH LENGTH	HGC706141	HGC706171	HGC706170	HGC706169	HGC706143	TOTAL TRAYS NEEDED
	END KIT 1	SUPPLEMENT	MIDDLE KIT 1	MIDDLE KIT 2	END KIT 2	
8'	1	1	-	-	1	2
12'	2	1	1	-	-	3
16'	1	1	1	1	1	3
20'	2	1	2	1	-	4
24'	1	1	2	2	1	4

5' BOTANICARE® CT TRAY PARTS

TOTAL BENCH LENGTH	HGC707086	HGC707087	HGC707088	HGC707089	TOTAL TRAYS NEEDED
	DRAIN TRAY	END TRAY	MIDDLE TRAY 8 FT	MIDDLE TRAY 4 FT	
8'	1	1	-	-	2
12'	1	1	-	1	3
16'	1	1	1	-	3
20'	1	1	1	1	4
24'	1	1	2	-	4

NOTE: Don't forget the BOND THREE Tray Sealant (PN: HGC707092)

END KIT 1 ASSEMBLY

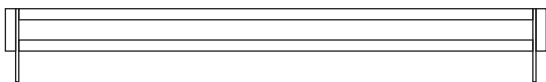


4' - HGC706112
5' - HGC706141

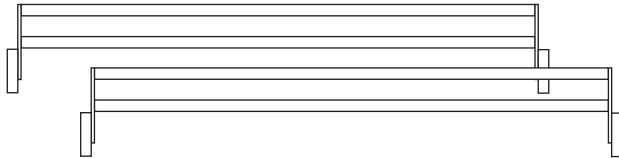
KIT PACKAGE CONTAINS:

1. (x1) End Rail A
2. (x2) Side Rail A
3. (x4) Support Rail
4. (x2) Drain Support
5. (x2) Leg
6. (x2) Foot

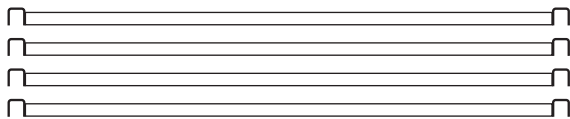
1. (4') End Rail A - 49.875" (5') End Rail A - 61.875"



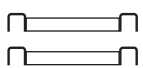
2. Side Rail A - 49.375"



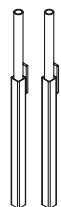
3. Support Rail



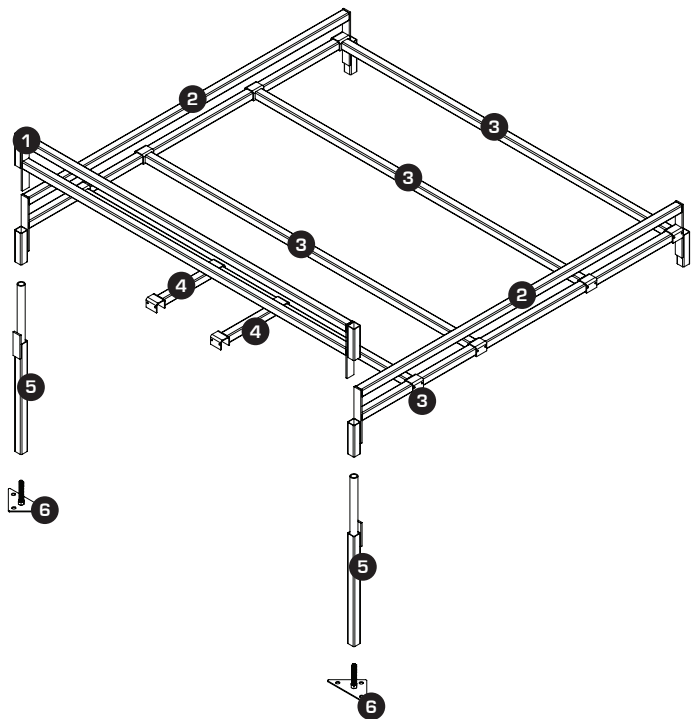
4. Drain Support



5. Leg



6. Foot



SUPPLEMENT ASSEMBLY

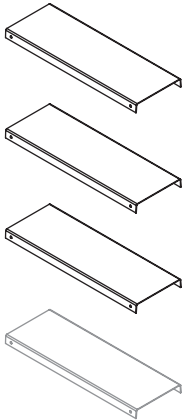


4' - HGC706137
5' - HGC706171

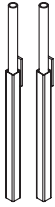
KIT PACKAGE CONTAINS:

1. (3x) Seam Support [4 ft]
(4x) Seam Support [5 ft]
2. (x2) Leg
3. (x2) Foot

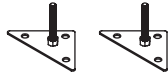
1. Seam Support



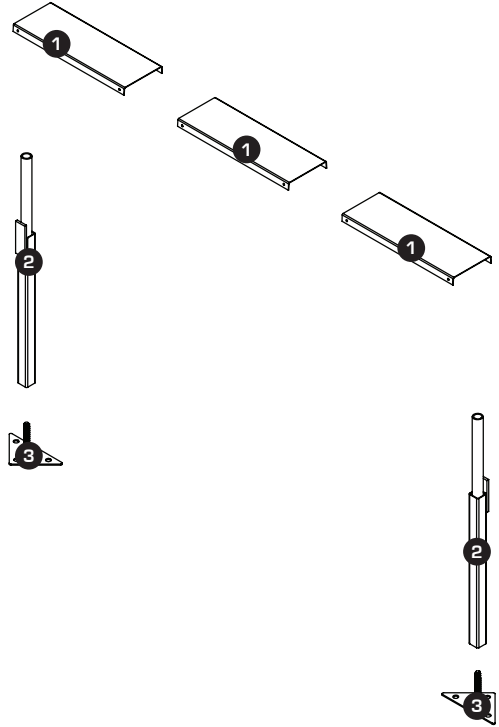
2. Leg



3. Foot



5' kit includes one additional support



MIDDLE KIT 1 ASSEMBLY

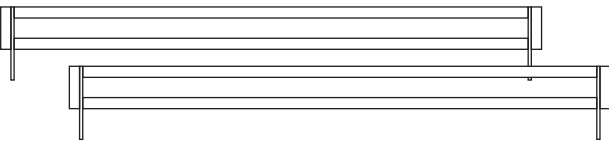


4' - HGC706123
5' - HGC706170

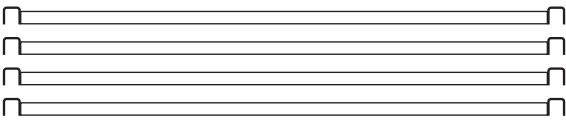
KIT PACKAGE CONTAINS:

1. (x2) Side Rail B
2. (x4) Support Rail
3. (x3) Seam Support [4 ft]
(x4) Seam Support [5 ft]
4. (x2) Leg
5. (x2) Foot

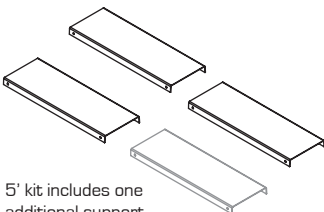
1. Side Rail B - 49.375"



2. Support Rail



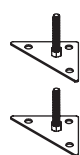
3. Seam Support



4. Leg

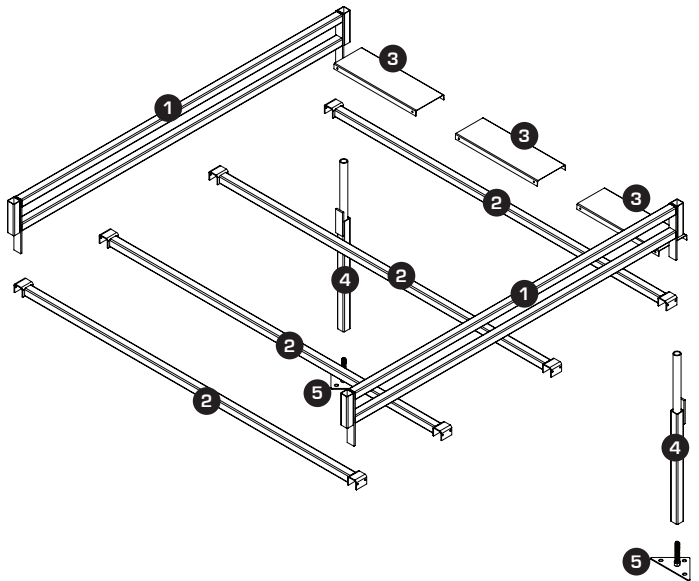


5. Foot



5' kit includes one additional support

4



MIDDLE KIT 2 ASSEMBLY



4' - HGC706117
5' - HGC706169

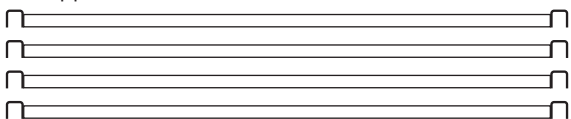
KIT PACKAGE CONTAINS:

1. (x2) Side Rail A
2. (x4) Support Rail
3. (x3) Seam Support [4 ft]
- (x4) Seam Support [5 ft]
4. (x2) Leg
5. (x2) Foot

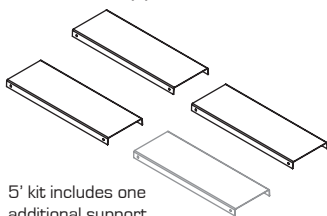
1. Side Rail A - 49.375



2. Support Rail



3. Seam Support

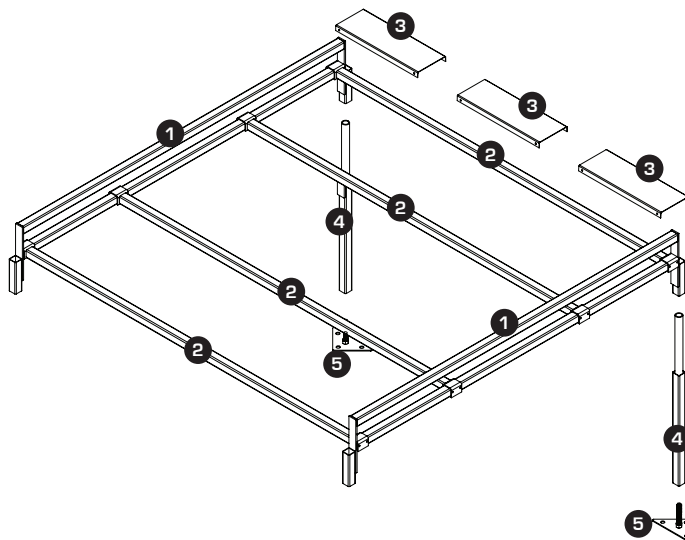
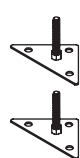


5' kit includes one additional support

4. Leg



5. Foot



END KIT 2 ASSEMBLY

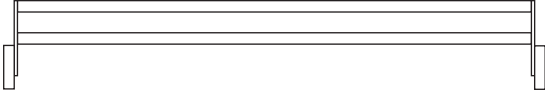


4' - HGC706114
5' - HGC706143

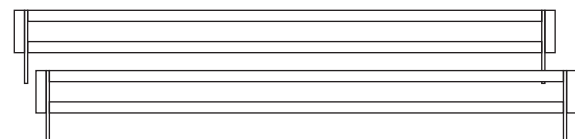
KIT PACKAGE CONTAINS:

1. (x1) End Rail B
2. (x2) Side Rail B
3. (x4) Support Rail
4. (x2) Drain Support
5. (x2) Leg
6. (x2) Foot

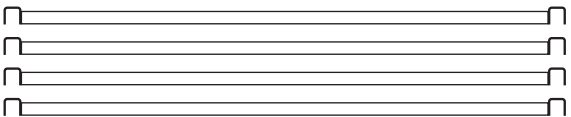
1. (4') End Rail B - 49.875" (5') End Rail B - 61.875"



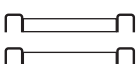
2. Side Rail B - 49.375"



3. Support Rail



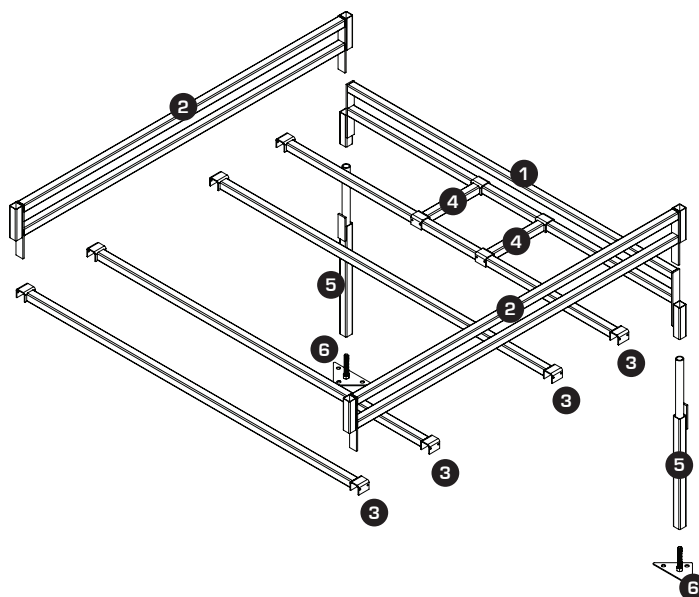
4. Drain Support



5. Leg



6. Foot

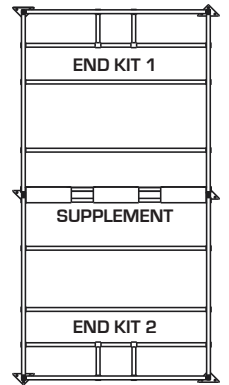
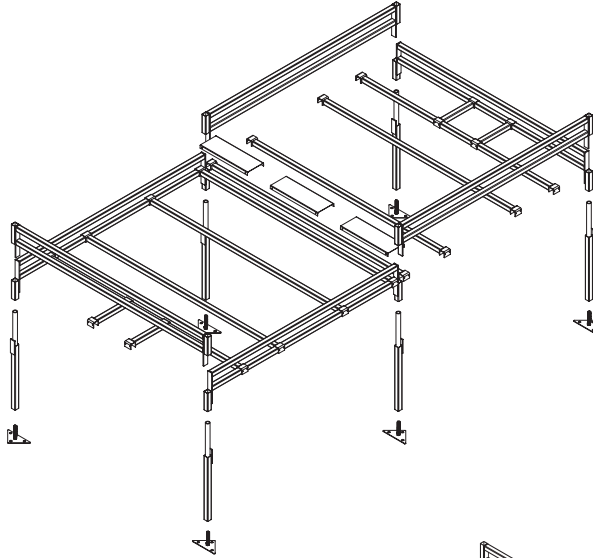


FULL BENCH ASSEMBLY

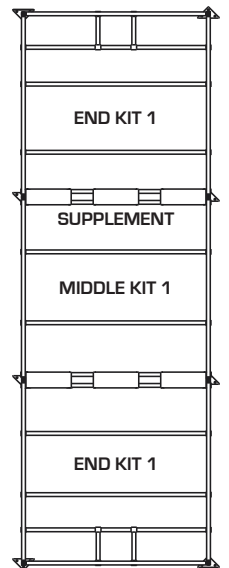
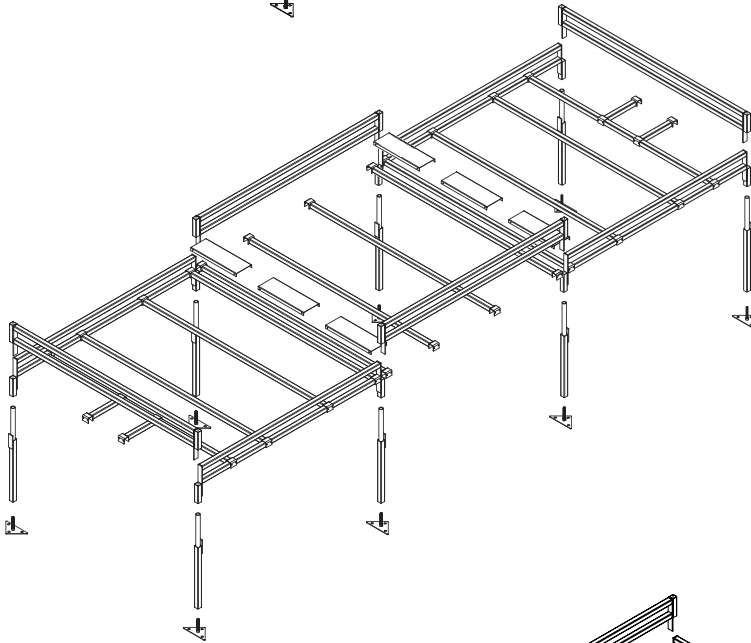
5 ft benches use 4 seam supports, evenly spaced on each seam

IMPORTANT:
MAKE SURE TO EVENLY
SPACE SUPPORT RAILS

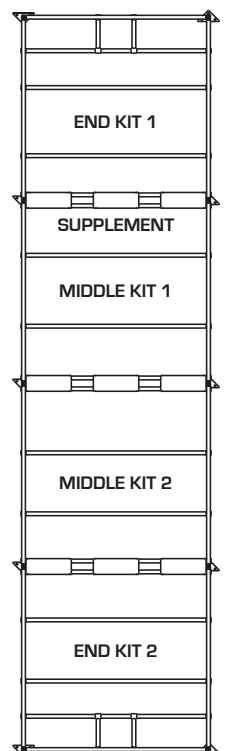
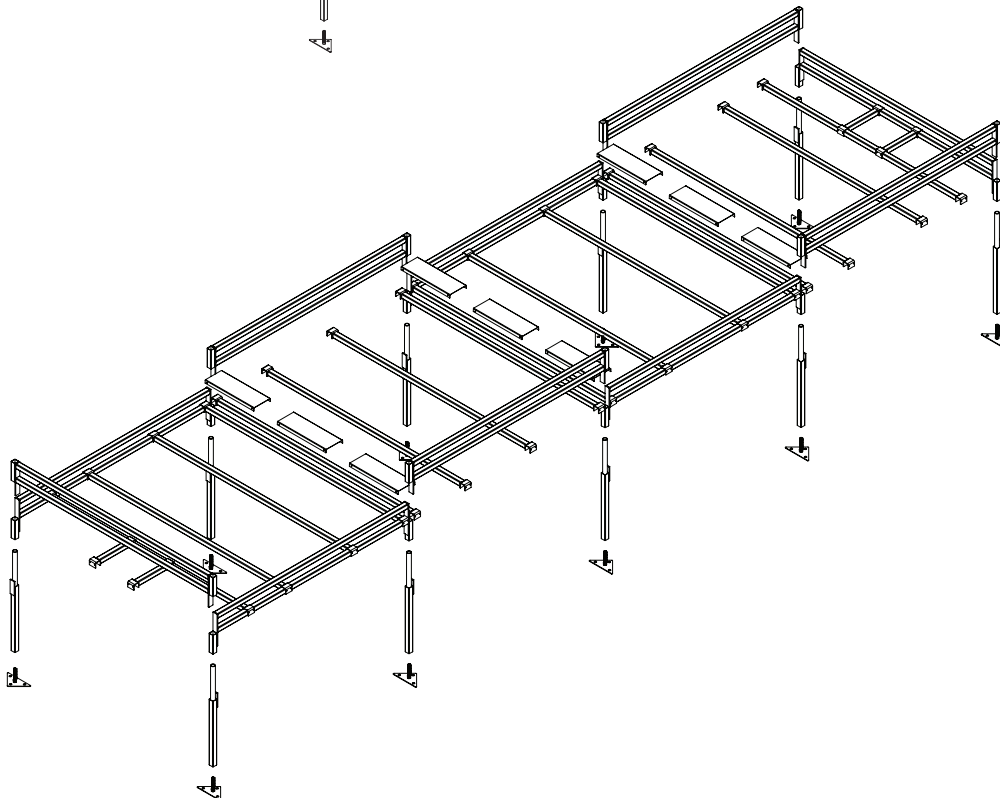
8'



12'



16'

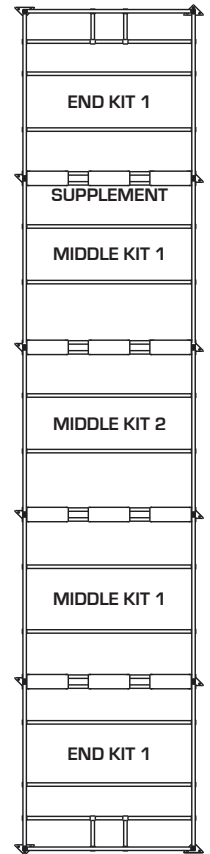
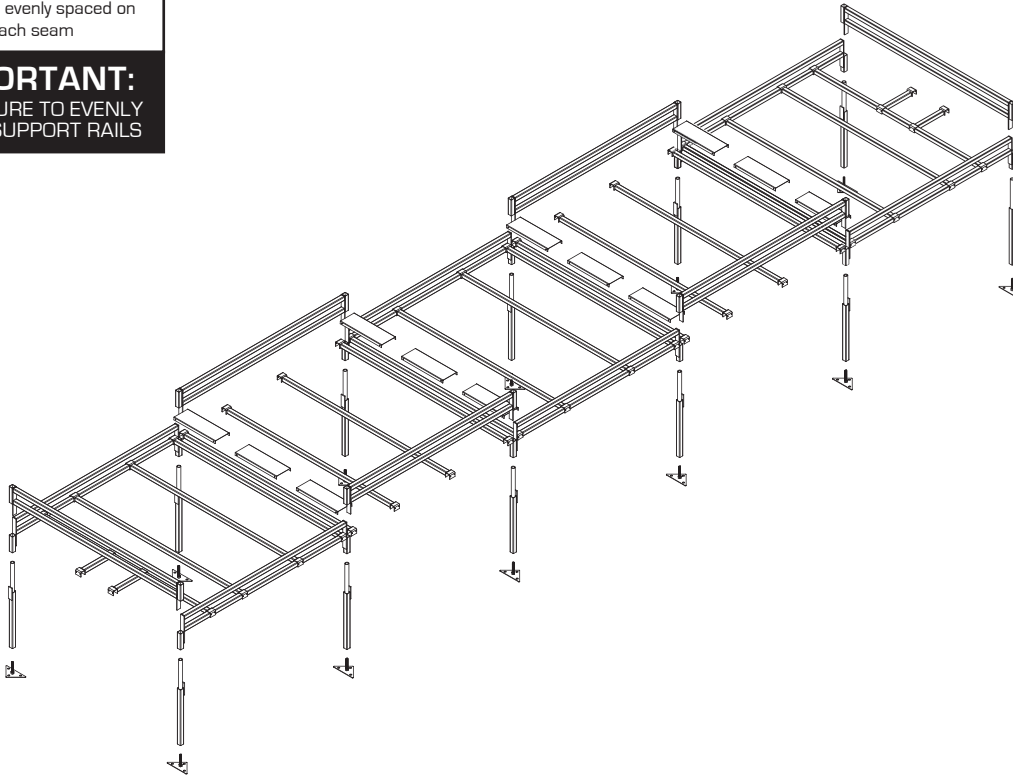


FULL BENCH ASSEMBLY

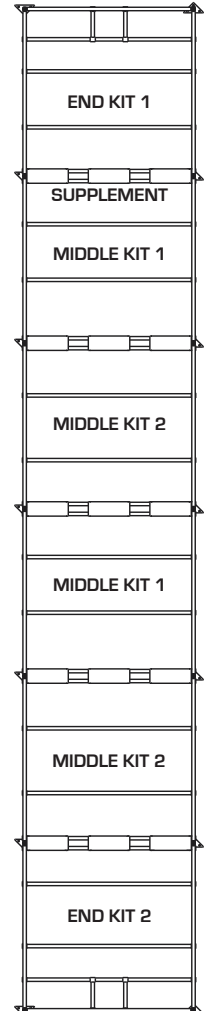
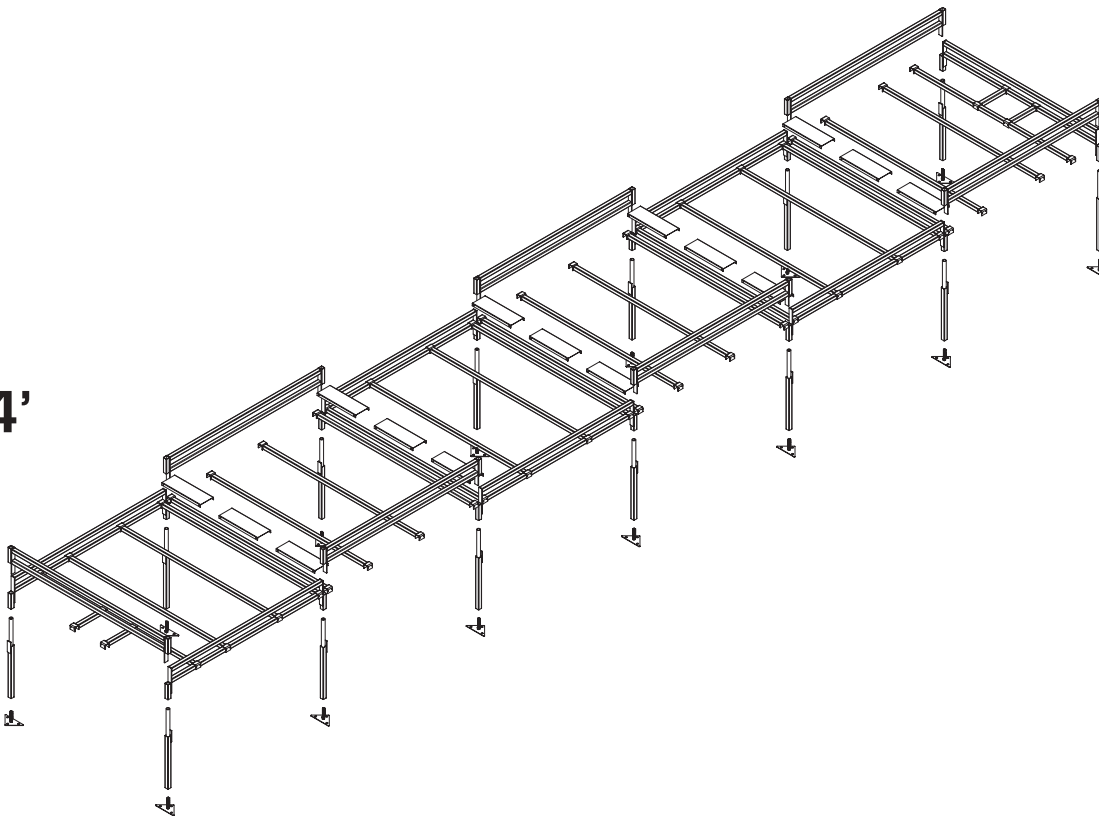
5 ft benches use 4 seam supports, evenly spaced on each seam

IMPORTANT:
MAKE SURE TO EVENLY SPACE SUPPORT RAILS

20'

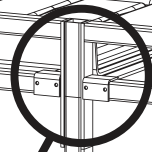
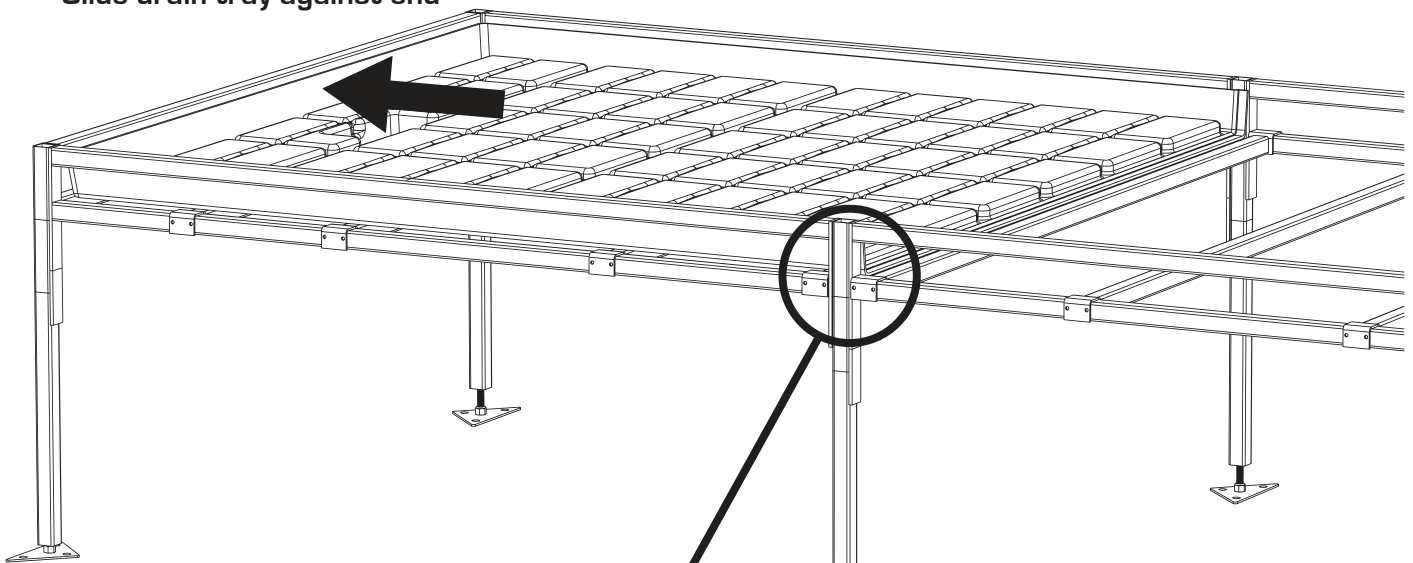


24'



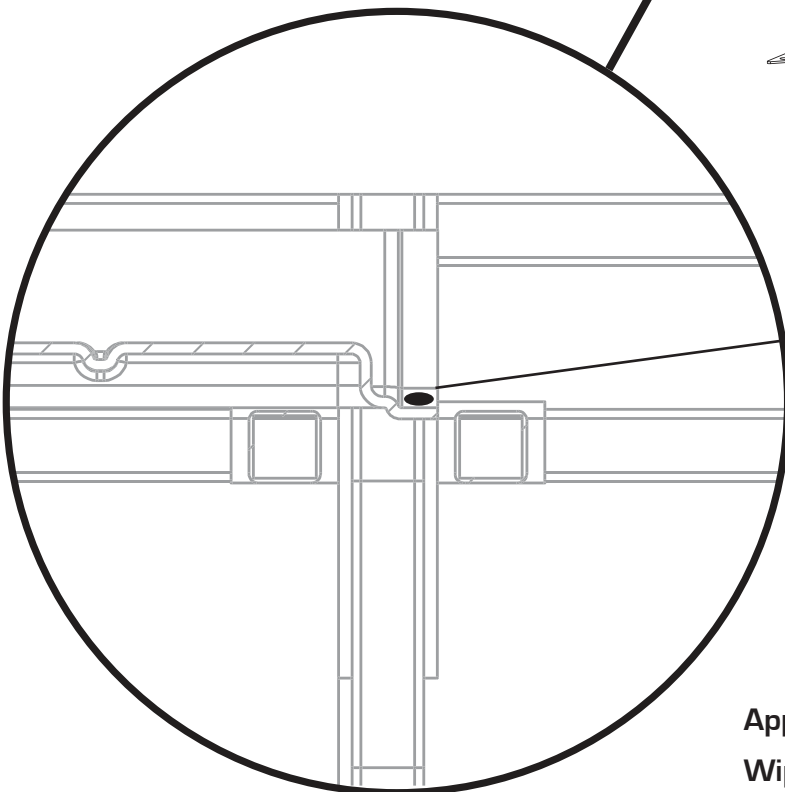
BOTANICARE® CT TRAY SEALING GUIDE

Slide drain tray against end



Clean all bonding surfaces using Isopropyl Alcohol and clean clothes.

Before using BOND THREE Lap Tray Sealant Adhesive, carefully read and follow all warnings and directions for use, on package and in instructions.



Wipe clean

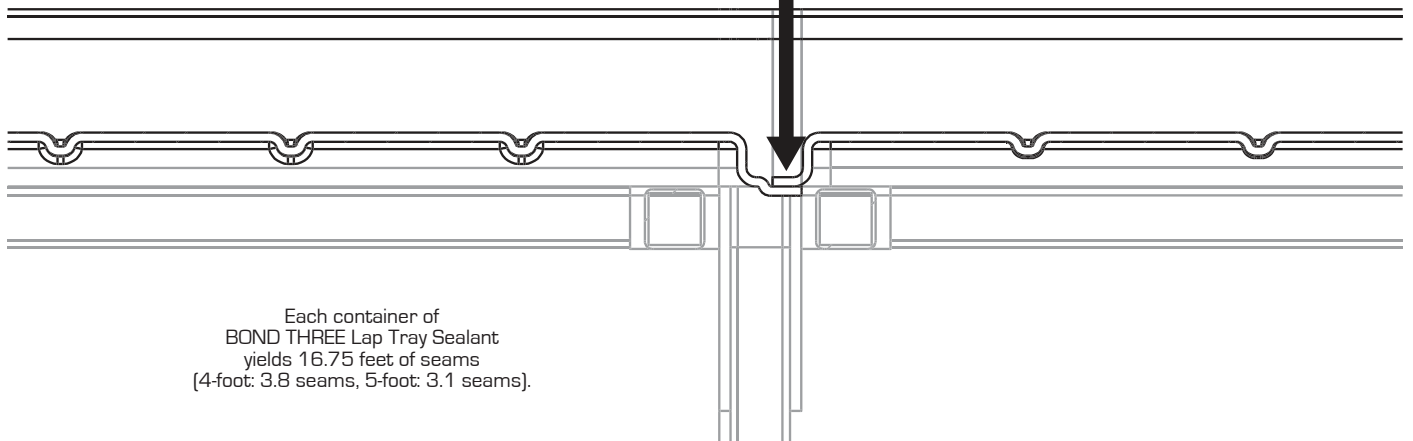
Apply 3/8" x 3/8" sealant bead

Place seam of second tray over sealant bead

Apply light pressure until cured

Wipe clean

Complete all tray adjustments within 15 minutes of applying sealant. After 15 minutes, do not move or handle trays for 24 hours.



Each container of BOND THREE Lap Tray Sealant yields 16.75 feet of seams (4-foot: 3.8 seams, 5-foot: 3.1 seams).