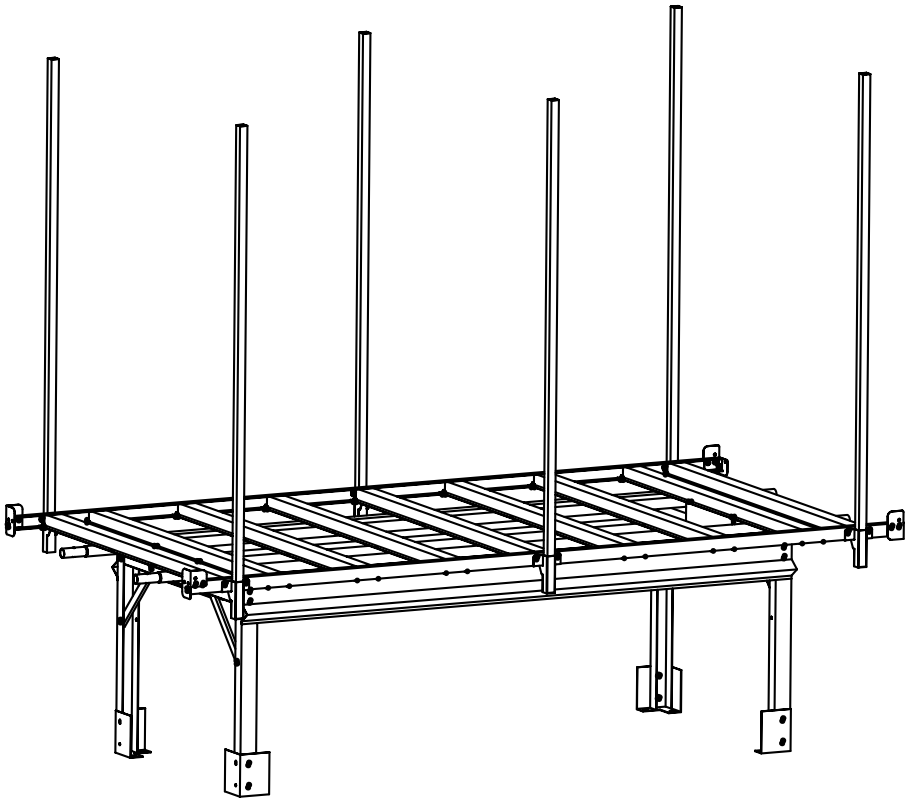


## USER MANUAL

# ActiveAQUA<sup>®</sup>

HYDRO CULTURE

## ROLLING BENCH TRELLIS SUPPORT KIT



AARBTS1  
(ROLLING BENCH SOLD SEPARATELY)

## PART LIST

Part	Qty	Description	Part	Qty	Description
------	-----	-------------	------	-----	-------------

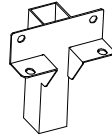
<b>1</b>	x 12	Nut
----------	------	-----



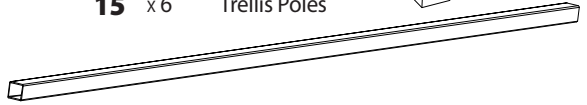
<b>2</b>	x 12	Bolt
----------	------	------



<b>14</b>	x 6	Support Bracket
-----------	-----	-----------------



<b>15</b>	x 6	Trellis Poles
-----------	-----	---------------



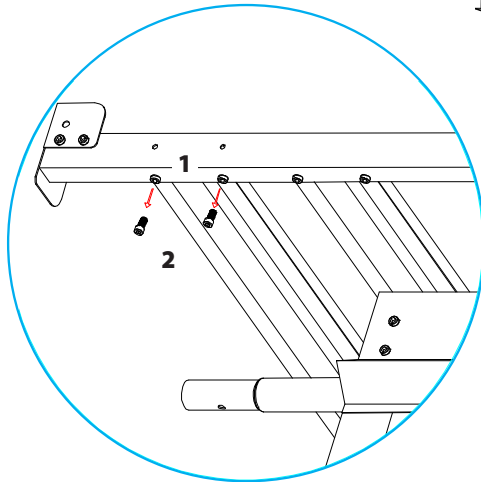
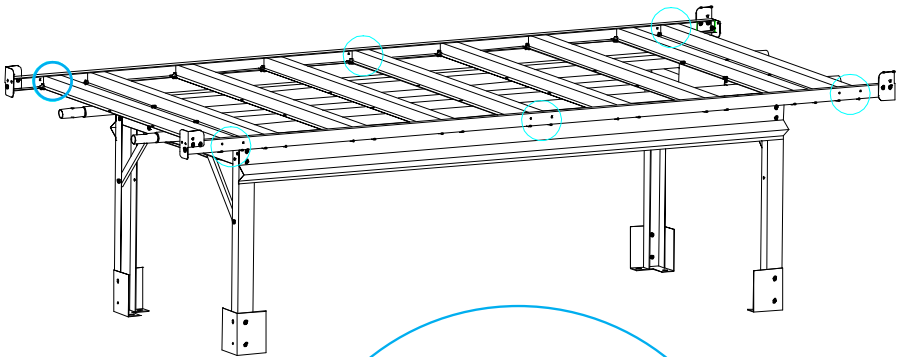
Also includes assembly tools: Hex wrench (x1) and open-ended wrench (x1)



## ASSEMBLY

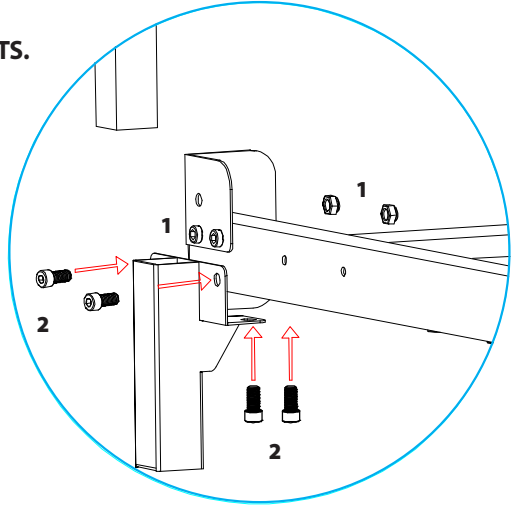
### STEP 1: PLACE SUPPORT BRACKETS.

Remove the existing nuts (**1**) and bolts (**2**) from the support bars circled in blue below. Next, place the support bracket into position as shown in Step 2.

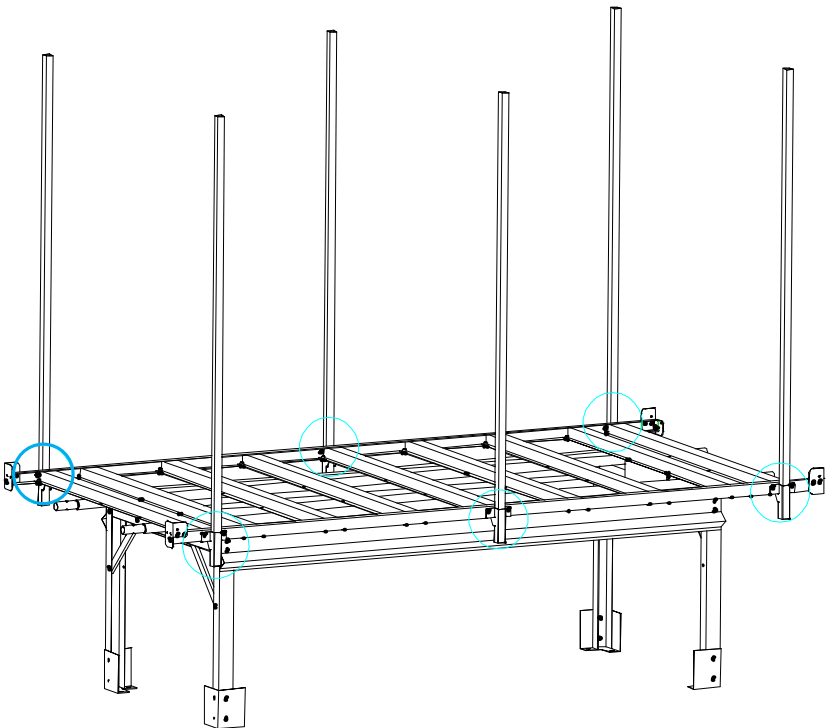


**STEP 2: ATTACH SUPPORT BRACKETS.**

Reattach the nuts (1) and bolts (2) you removed in Step 1, and add two more on the side of the table to secure the brackets as shown.



**STEP 3: INSERT TRELLIS POLES INTO SUPPORT BRACKETS.**





Thank you for choosing Active Aqua by Hydrofarm. For further information about Active Aqua products, videos, and technical information, please visit [Hydrofarm.com](http://Hydrofarm.com)



Get Connected with the Hydrofarm Community:



Like us on Facebook, follow us on Twitter, and check out *Hydrofarmtv* on YouTube and Instagram!