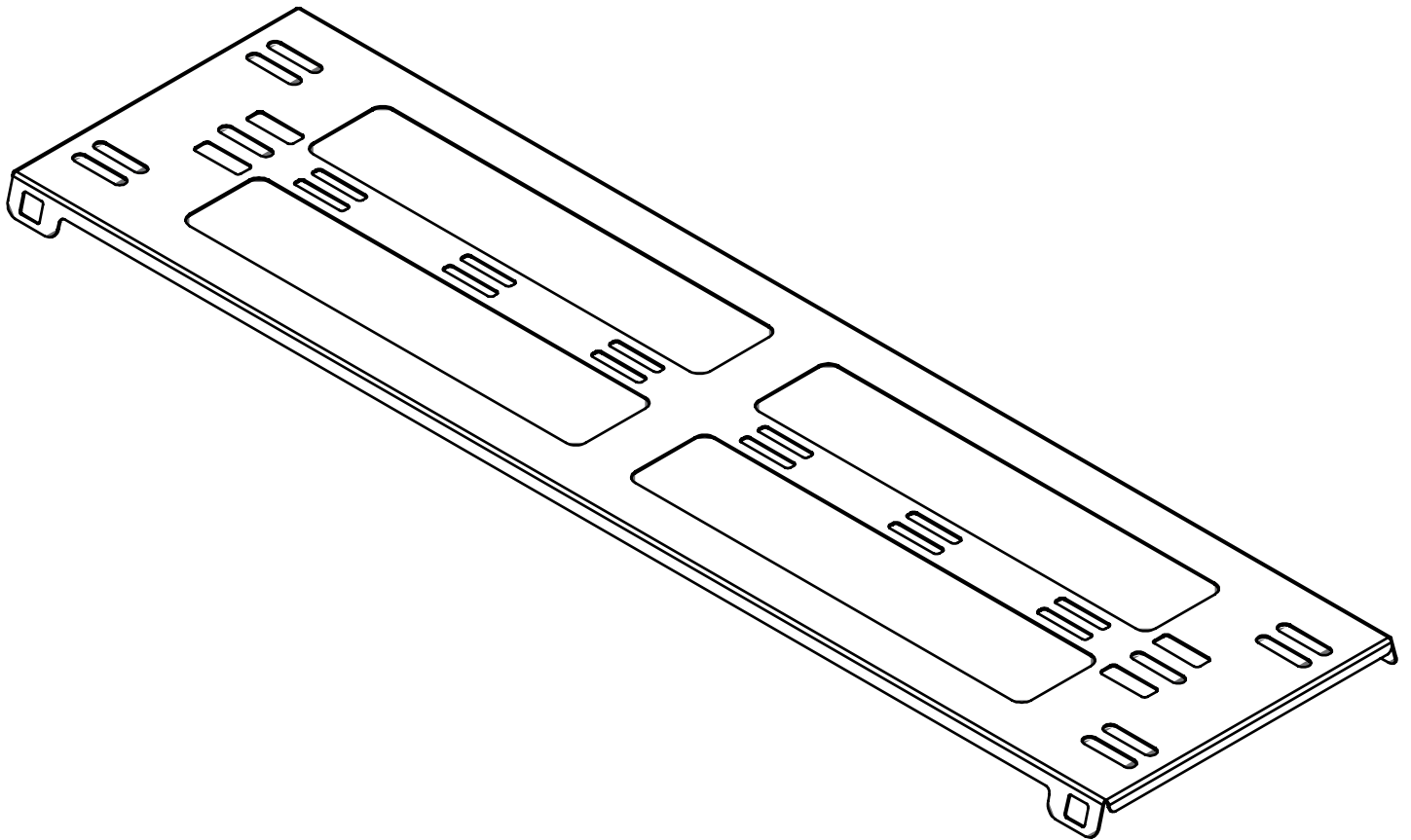
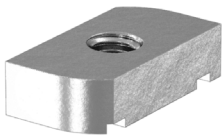


Gavita[™] Rail System Hanging Bracket User Manual

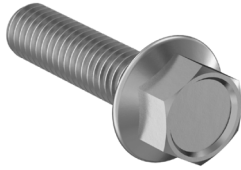


1 Strut Channel

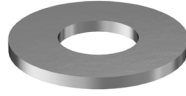
1.1 Hardware needed:



2-4x



2-4x

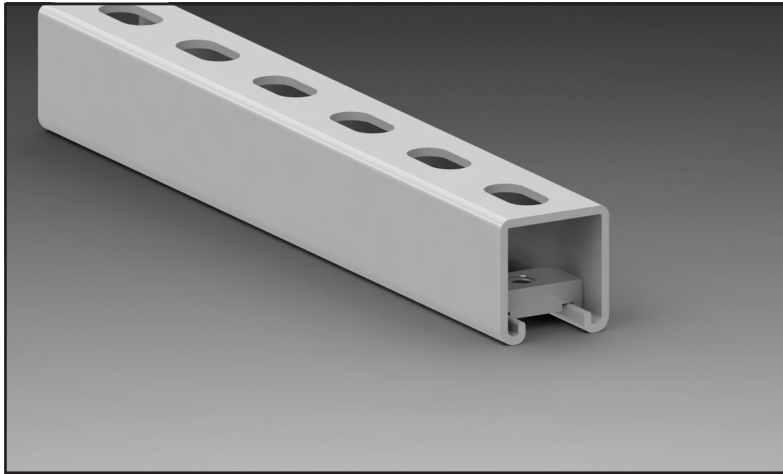


2-4x

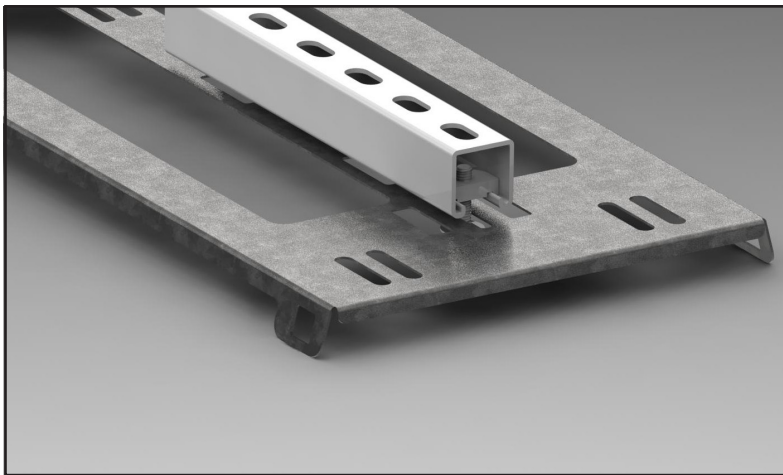


1x

1.2 Insert strut channel nuts into the strut channel



1.3 Insert bolts with washer through appropriate holes on bracket so the bracket is centered along the strut channel, with the bolt going through the channel nut



1.4 Tighten bolts and use included level to ensure bracket is level in all directions

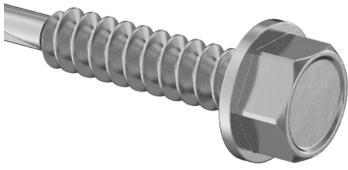
1.5 Hook one side of fixture onto the bracket

1.6 Fold the fixture slightly to align and hook on the other side of the bracket

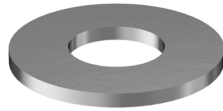
NOTE: Use 2x or 4x channel nuts and bolts depending on arrangement of your strut channel.

2 Vertical Rack

2.1 Hardware needed:



4x

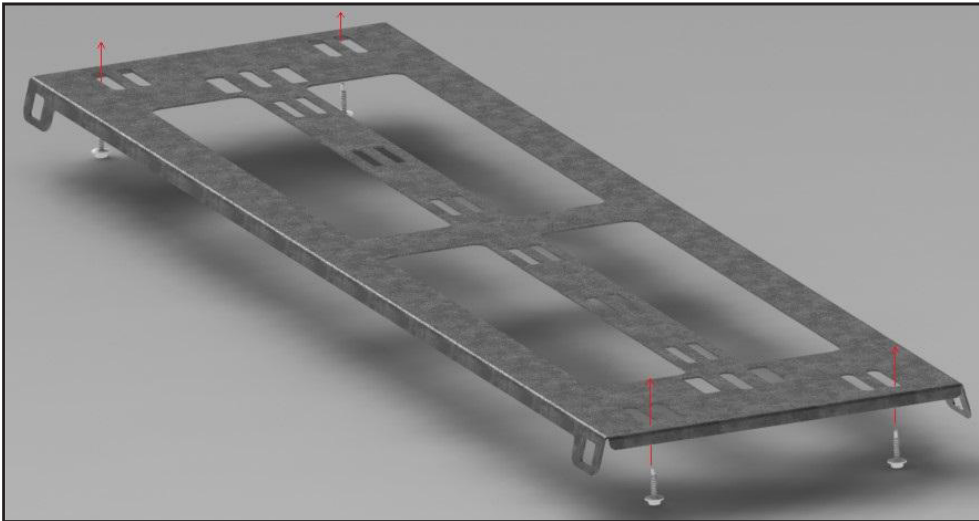


4x



1x

2.2 Insert self drilling sheet metal screws with washer through appropriate holes on the bracket, it is recommended you use all four screws



2.3 Drill all four screws through sheet metal until the bracket is secured

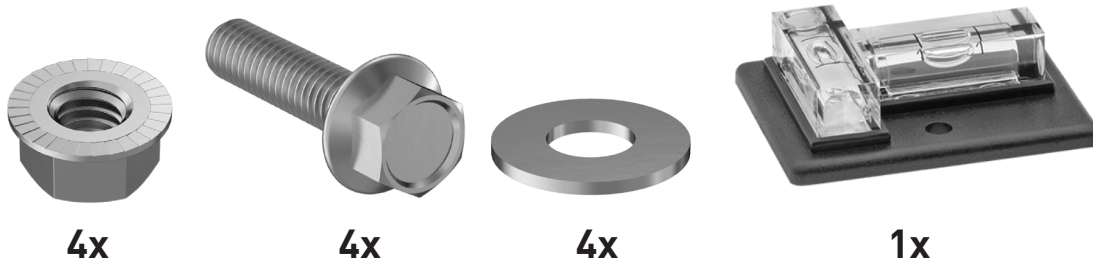
2.4 Tighten screws and use included level to ensure bracket is level in all directions

2.5 Hook one side of fixture onto the bracket

2.6 Fold the fixture slightly to align and hook on the other side of the bracket

3 Other

3.1 Hardware included:



Use included bolts with nuts to mount bracket in miscellaneous other locations

4 Limited Warranty

When purchased from an authorized Hawthorne dealer, this product is covered by a Limited Warranty, available at hawthornegc.com/warranties. You can also obtain the Terms of Sale and Limited Warranty by calling Hawthorne toll-free at: 1-888-478-6544 or writing Hawthorne at: Hawthorne Hydroponics LLC, 3204 NW 38th Circle, Vancouver, WA 98660, Attn: Customer Service.



**Manufactured for Hawthorne Hydroponics LLC,
a subsidiary of The Hawthorne Gardening Company**

800 Port Washington Blvd. Port Washington, NY 11050

HawthorneGC.com | Canada: HawthorneGC.ca | P +1-360-883-8846 | E info@gavita.com

©2023. World rights reserved.

